

TELESCOPIC HOOD

EFCH 9401 HM SS



THE BEAUTY OF SIMPLICITY



USER MANUAL



Table of Content

•From the Manufacturer	3
•Specifications	3
•Description of Parts	4
•Safety Regulations	5
•Control switch operation	6
•Re-circulating	7
•Installation Instructions	8
•Electrical Connection	9
•Cleaning & Maintenance	9
•Troubleshooting	10
•Schematic Diagram	11

Dear Customer,

Thank you for having purchased and given your preference to our product. This manual provides a means to make full use of the features of this product. We recommend that you read this manual for best performance and to extend the life of your appliance.

Please preserve this manual for future use, in the event that doubts arise relating to the operation

From the Manufacturer

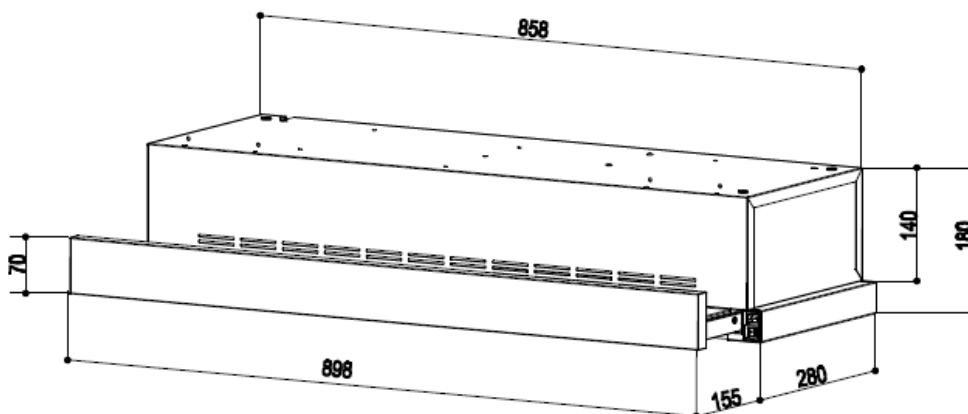
- This appliance and the packaging are produced by processes that minimize waste and friendly to the environment.
- Please dispose the packaging in an environmentally friendly manner
Safety!
- Please do not allow young children to play with the plastic film and packaging as this may result in suffocation.
- Before disposing of any old appliances, be sure to cut off the power cord so that others will not be endangered by a defective electric appliance

Specifications

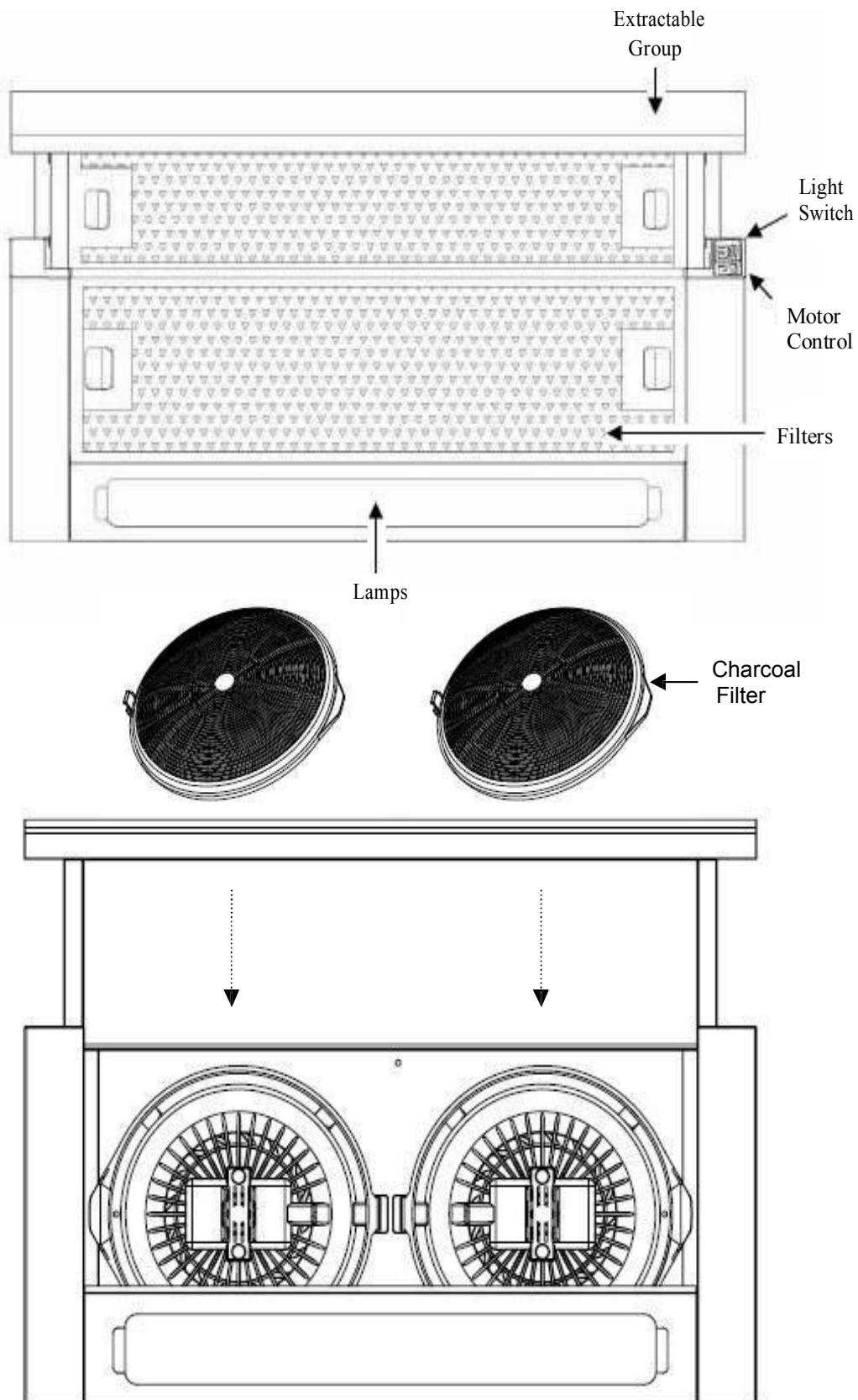
Input	:220-240V/50Hz
Motor	: 2×85W
Lamp	: 2×40W
Total Power	: 250W

Production Dimension

- 90cm version :900x302x180mm



Description of Parts



4 screws

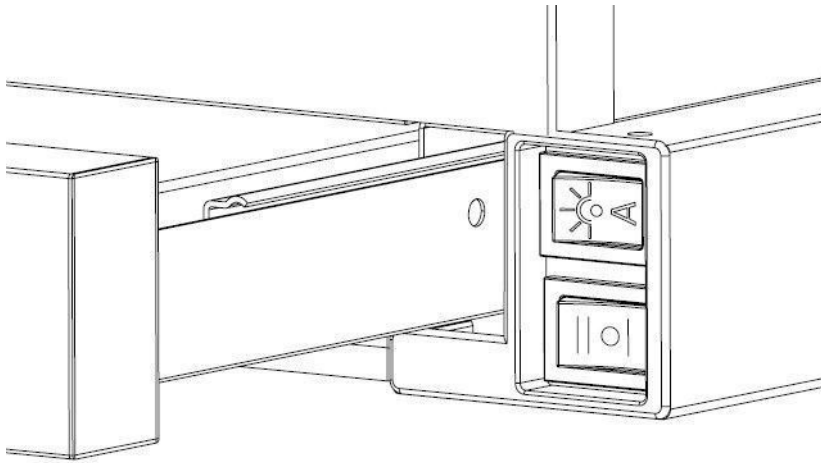
4 screws (5mm×L15mm) are used for hanging the hood to the ceiling.

Safety Regulations

- Do not connect the appliance if there are obvious signs of transportation damage.
- Read this user manual thoroughly before attempting to use this appliance.
- Installation and repair should be attempted only by qualified technical personnel.
- Do not modify any part of this appliance
- Ensure the location in which this appliance is installed has good, permanent ventilation.
- The distance between the cooking appliance to the lower part of the hood must not be less than 65 cm or higher than 75cm.
- Check that the main voltage in your area corresponds to the voltage of the appliance before plugging in.
- The electrical connection of this appliance must be connected to earth.
 - Green & Yellow = EARTH**
 - Blue = NEUTRAL**
 - Brown = LIVE**
- Multiple plugs and extension cables must not be used. Overload is dangerous and may cause a fire.
- Ensure that the power supply cord is free from any heat source or sharp objects.
- The appliance should be switched off and the electrical supply has to be disconnected before any cleaning or maintenance work can be carried out.
- The company declines all responsibilities in case of failure to adopt proper safety measures stated in this manual.

Operation

By pressing the button shown in the below, you will be able to control the functions of the extractor.



Light



ON



Off



Automatic

Speed



Low



Off



High

To achieve better extraction, we recommend switching on the power (by pulling out of extractor) a few minutes before starting to cook (3—5 minutes) so that the air flow is continuous and stable when extracting fumes.

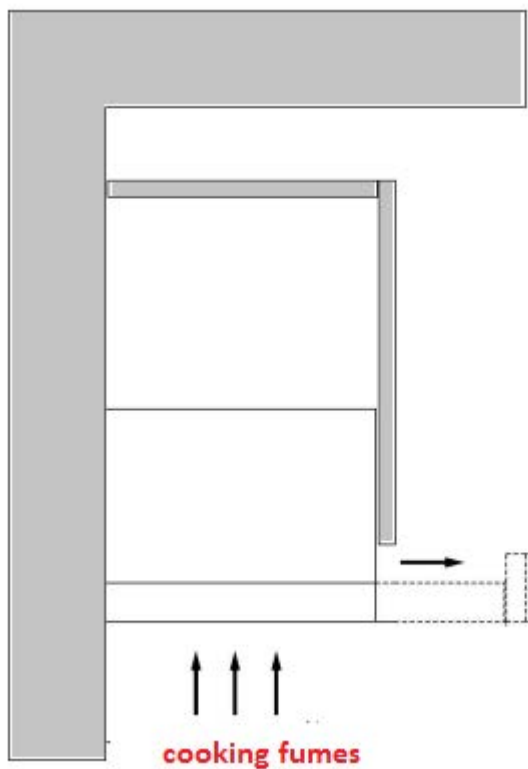
Likewise, keep the power on for a few minutes when cooking is completed to allow all fumes and odors to be expelled.

Re-circulating

This appliance is configured to operate in the re-circulating mode ONLY.

RE-CIRCULATING MODE

- The cooking smells and odours are passed through a cleaning filter. Once filtered, the air is recirculated into the kitchen through the grille on the upper part of the front on the appliance.



Caution:

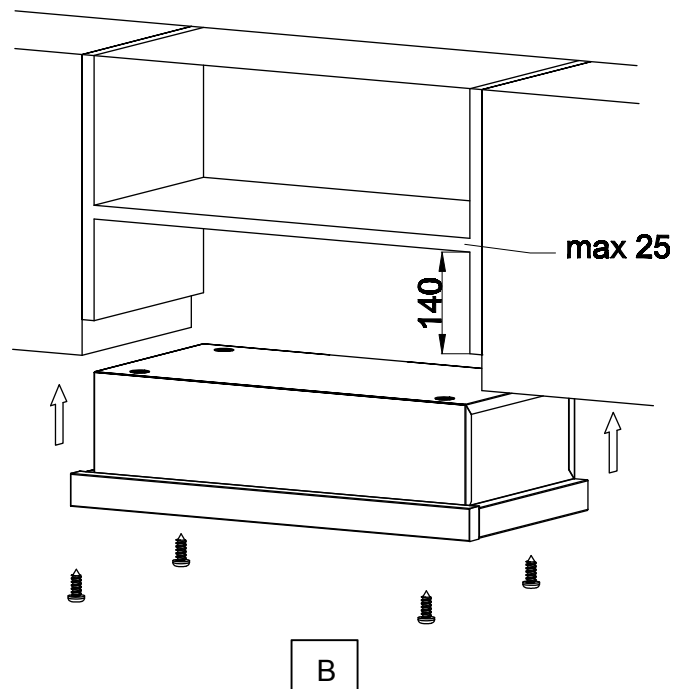
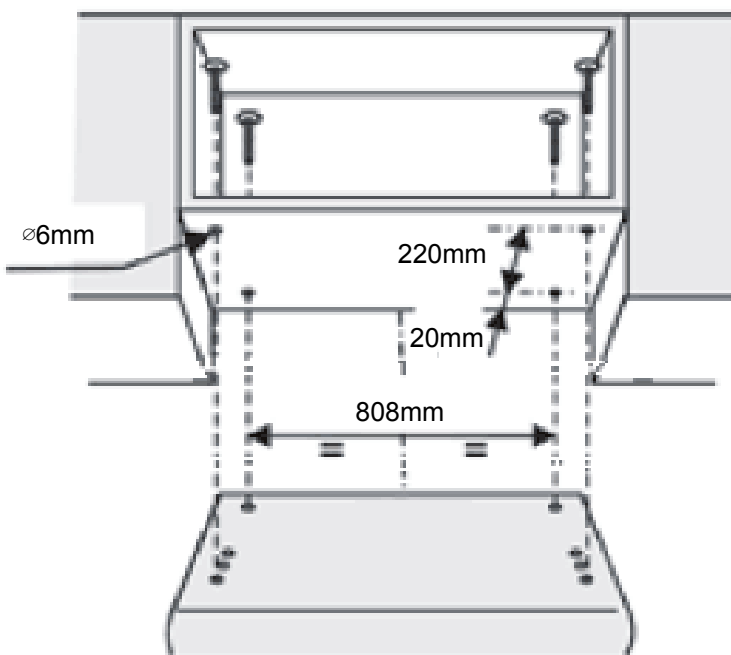
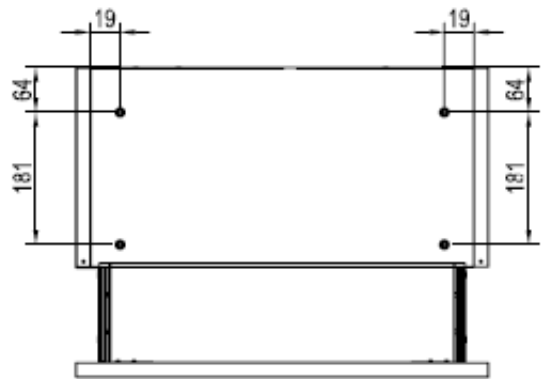
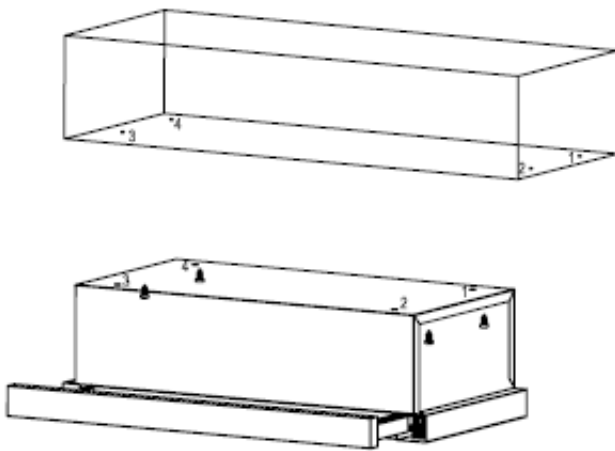
In recirculating mode, charcoal filter is to be fitted.

Installation Instructions

- Unless otherwise specified, the distance between the cooking appliance to the lower part of the hood must not be less than 60cm for electric cookers and 65cm for gas cookers.

Cabinet Mounting

- Drill 4 holes of $\varnothing 6\text{mm}$ at the bottom of the cabinet according to the positions of the screw holes on top of the cooker hood (A)
- Put the one-way valve on the cooker hood screw holes and lift the cooker hood to the bottom of the cabinet.
- Tighten the hood with the 4 screws provided to the four holes at the bottom of the cabinet (B)



- Make the electrical connection

Electrical Connection

Before completing any connection, make sure the house voltage corresponds to the voltage indicated on the label affixed inside the appliance

It is advisable to call a qualified technician to make the electrical connection.

Appliance fitted with plug

Connect it to a socket which conforms to current regulations. If you intend to connect it directly to the electric mains, remove the plug and fit an approved bipolar switch with a minimum contact opening of not less than 3mm.

If the plug is not accessible once it has been inserted in the socket, it will however be necessary to fit an approved bipolar switch with a minimum contact opening of no less than 3mm.

Appliance without plug

Fit an approved plug or an bi-polar switch with a minimum contact opening of no less than 3mm. The company is not liable for any problems caused by the user's failure to comply with the above instructions

Cleaning & Maintenance

Regular maintenance and cleaning ensures good performance and reliability, while extending the working-life of the appliance.

SURFACE :

Wash with warm soapy water and a soft sponge. Never use abrasive detergent, scouring pads, steel wool or solvents on any part of this appliance as this will cause irreparable damage.

Note: Never use metallic scouring pads or abrasive products that could damage the surface.

Filter Cleaning:

Aluminium Grease Filters : Wash in the dishwashers or soak the panels in a degreasing agent for an hour, then rinse off. The filter must be cleaned at least once a month or depending on the frequency of appliance usage.

CHARCOAL FILTERS:(only in re-circulating model): Charcoal filter cannot be reused. They must be replaced with the appropriate types once a year or de-pending on the frequency of appliance usage. For this appliance to function effectively, regular maintenance is a must. Clogged filters restrict airflow and may cause the motor to overheat.

BULB REPLACEMENT: Before attempting to replace the light bulb, make sure that the light switch is turned off. Remove the grease filter to access the lamp area. Remove the damaged light bulb and replace an bulb with maximum 40W.

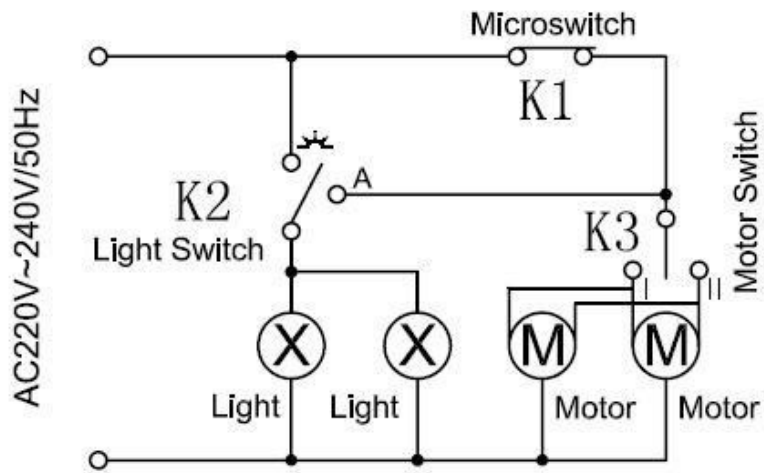
Troubleshooting

Symptoms	Possible Cause	Action
Motor does not function	No electrical supply <ul style="list-style-type: none"> - Plug and main switch not connected - Damaged switch or short circuit 	<ul style="list-style-type: none"> - Check that the plug is connected and the main switched is turned on. - Check if the switch is damaged or short circuit – replace or repair.
Poor airflow	<ul style="list-style-type: none"> - Distance between the cooking appliance and the hood is too high - Fan operation speed is too low - Charcoal filters clogged 	<ul style="list-style-type: none"> - Adjust installation height - Replace motor or capacitor – contact technician - Replace charcoal filters
Motor running but No airflow	Air flow blade is jammed	Adjust air flow blade - contact technician
Motor shut off after a few minutes	<ul style="list-style-type: none"> - High temperature – safety device activated - The hood is installed too near to the cooking appliance 	<ul style="list-style-type: none"> - The kitchen is not sufficiently ventilated - Adjust installation height – must be at least 65cm from cooking appliance
Strong Vibration	<ul style="list-style-type: none"> - Hood installed incorrectly - Fan installed incorrectly - Fan is damaged 	<ul style="list-style-type: none"> - Reinstall the hood correctly - Reinstall the fan correctly - Replaced or repair
Strong cooking smell	Charcoal filters not installed	In re-circulating mode, charcoal filters must be installed
Oil dripping onto stove	Aluminium grease filter is saturated	Wash the aluminium grease filters
Whirring sound	Foreign object in contact with fan blade	Contact technician

In the event of any uncertainties arise on appliance or if the appliance is not function properly, please stop using it and contact our customer service immediately

Schematic Diagram

2 motor version



Please note:

Casa (S) Pte Ltd reserves all rights to the final interpretation of the content of this manual. Customer will not be notified in the event of any amendments to the content.

For original parts & reliable service:

CASA (S) PTE LTD
15 KIAN TECK CRESCENT,
SINGAPORE 628884
TEL:+65 6268 0077
FAX:+65 6898 0510
Email:service@casa.com.sg