

# CHEST FREEZER

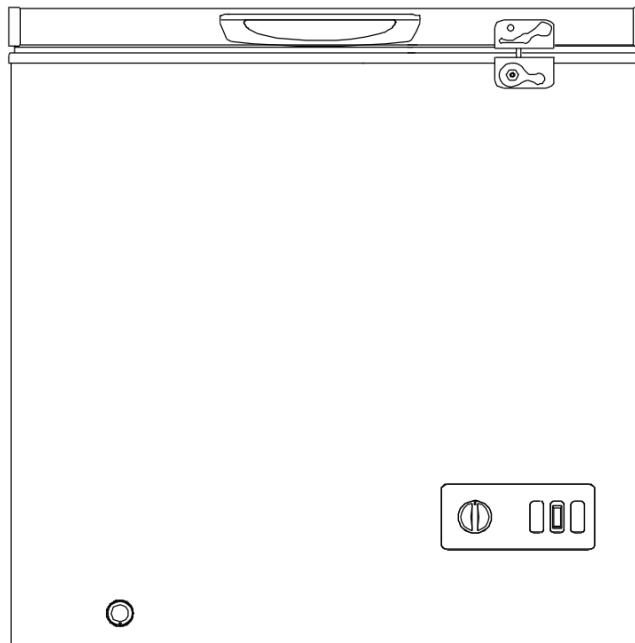


THE BEAUTY OF SIMPLICITY



**Model No: EFCF 109 WB**

**USER MANUAL**



**To ensure proper use of this appliance and your safety, please read the following instructions carefully before operating this appliance.**

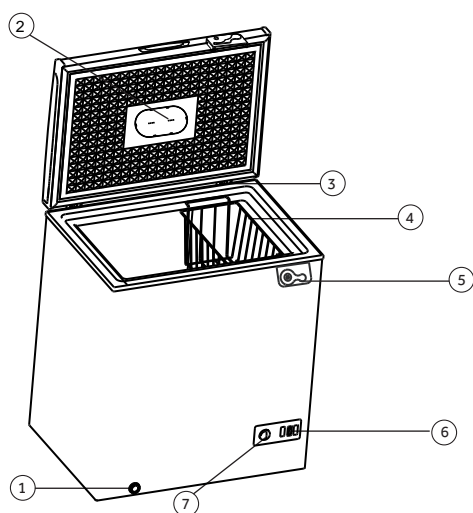
# IMPORTANT SAFETY INSTRUCTIONS

## ⚡WARNING⚡

To reduce the risk of fire, electrical shock, or injury when using your freezer, follow these basic precautions:

- Read all instructions before using the freezer.
- **DANGER or WARNING:** Risk of child entrapment.
- To avoid the possibility of child entrapment, please take the following precautions before throwing away the freezer.
  - Remove all doors from the unit.
  - Leave the shelves in place so that children may not easily climb inside.
- Never allow children to operate, play with, or crawl inside the freezer.
- The freezer has to be unplugged after use and before carrying out user maintenance.
- The freezer is not intended for use by persons (including children) with reduced physical, sensory or mental capabilities, or lack of experience and knowledge, unless they have been given supervision or instruction concerning use of the appliance by a person responsible for their safety.
- Refrigerants: All refrigeration products contain refrigerants, which under the guidelines of federal law must be removed before disposal of product. It is the consumer's responsibility to comply with federal and local regulations when disposing of this product.
- Never clean freezer parts with flammable fluids. The fumes can create a fire hazard or explosion.
- Do not store bottles or cans – the substances freezes and the container can be broken which may cause personal injury
- Do not store or use gasoline or any other flammable vapors and liquids in the vicinity of the freezer as it may cause explosion.

-Save these instructions-



1. Exterior Drain Plug
2. Light
3. Hinges
4. Vinyl Coated Wire Basket
5. Lock
6. Compressor On Indicator
7. Temperature Control

Dimensions: 560X555X842mm (W\* D\*H)  
Gas Type: R600a

# INSTALLATION INSTRUCTIONS

## Before Using Your Freezer

- Remove the exterior and interior packing.
- Check to ensure that following parts are available:
  - 1 x Storage Basket
  - 1 x Instruction Manual
  - 2 x Keys
- Before connecting the freezer to the power source, let it stand upright for approximately 2 hours. This will reduce the possibility of malfunction for cooling system.
- Clean the interior surface with lukewarm water using a soft cloth.

## Electrical Connection

### **⚡WARNING⚡**

Improper use of the grounded plug can result in the risk of electrical shock. If the power cord is damaged, have it replaced by an authorized service center.

- This freezer should be properly grounded for safety purpose. The power cord of this freezer is equipped with approved 3-pin plug.
- Do not, under any circumstances, cut or remove the three pin plug from the power cord supplied.
- This freezer requires a standard 220-240 Volt A.C. ~/50Hz electrical outlet.
- This freezer is not designed to be used with an inverter.
- Never splash or pour water to the freezer as it may cause risk of short circuit or electric shock.
- The cord should be secured behind the freezer and not left exposed or dangling to prevent accidental injury.
- Never unplug the freezer by pulling the power cord. Always grip the plug firmly and pull straight out from the receptacle.
- Do not use an extension cord with this appliance. If the power cord is too short, have a qualified electrician or service technician install an outlet near the appliance. Use of an extension cord can negatively affect the performance of the unit.

# OPERATION OF THE FREEZER

To freeze is the basic work condition for the freezer.

## Temperature Control

- The temperature control is located on the lower right hand corner.
- For the first time the freezer is turned on, turn the temperature control to “on” and run for at least 2 hours before putting frozen foods inside. This will ensure the cabinet is thoroughly chilled before storing any food.
- The range of the temperature control is from "1" (the warmest) to "7" (the coldest). Adjust the temperature control to the setting that best suits your needs. Do not fast freeze (“7”) for more than 5 hours as it is not good for refrigerant system. The setting of “4” is recommended for normal usage.
- When power is turned on, a green light indicator will light up.

### NOTE :

- If the unit is unplugged, power will be lost; please wait for 3 to 5 minutes before restarting the unit. If you attempt to restart before this time delay, the freezer will not function.
- Large amount of food will lower the cooling efficiency of the freezer.
- Do not place the food at the air outlet to ensure there is sufficient airflow.
- Adjust thermostat control by one increment each time you need to change the temperature setting. Allow several hours for temperature to stabilize between adjustments.

## The Freezer Compartment

- This compartment is designed for long-term storage of frozen food. Storage time is up to three months.
- The instructions regarding the care of frozen foods should be followed when defrosting the freezer.
- Pre-packed commercially frozen food should be stored in accordance with the frozen foods manufacturer’s instructions.
- Place the food into the freezer as quickly as possible after purchase. If there are instructions on the packet, carefully follow these instructions regarding storage times.
- The freezer door is susceptible to breaking due to excessive ice build-up. Be sure to defrost the freezer when the ice has formed 5 to 10 mm thickness.
- A storage basket is provided for organizing of odd-shaped items. To reach other packages in the freezer, just slide the basket to one side, or lift it out.

## Defrost

For efficient operation and minimize energy consumption, defrost the freezer when the frost on the freezer is excessive, e.g. 5 to 10mm thickness.

Choose a time when the stock of frozen food is low.

- Remove the frozen food from the freezer and place them in a cooler container to protect the food.
- Unplug the freezer. The Power supply light will be off (green light off).
- During defrosting, the ice melts into the cabinet.
- Remove the drain plug located at the bottom of the freezer cabinet by pulling straight out.
- Place a shallow pan outside drain outlet. The water will be drained out.
- Check the pan occasionally so the water does not overflow.
- Clean the interior of the freezer after defrost is completed.
- Re-insert the drain plug.
- Reset the thermostat to desired setting.
- Allow the freezer to cool for one hour before putting the food back to the freezer,

**NOTE:**

Do not use boiling water as it may damage the plastic parts. Never use a sharp or metallic instrument to remove frost as it may damage the cooling coils and will void the warranty.

Defrosting usually takes a few hours. Leaving the door open and pouring warm water (not boiling) on the ice/frost will help speed up the process. If you must use a scraper- please use with caution as it is very easy to damage the freezer compartment and void your warranty.

## CARE AND MAINTENANCE

- Upon installation of the new freezer, it is recommended that the freezer to be cleaned thoroughly before using.
- Wash the cabinet with a damp warm cloth plus baking soda solution. The solution should be about 2 tablespoons of baking soda to a quart of water.
- Wash the storage basket with a mild detergent solution.
- Be sure to keep the door gasket (seal) clean to keep the unit running efficiently.
- The external casing should be cleaned with mild detergent and warm water.
- Dry the interior compartment and exterior casing with a soft cloth.
- The condenser coil should be vacuumed if it is dusty or dirty.
- It is recommended that the unit be cleaned each time it is defrosted to help keep the unit odor free and running efficiently.

### Vacation Time

- **Short vacation:** Leave the freezer operating for vacation less than three weeks.
- **Long vacation:** If the appliance will not be used for several months, remove all food and unplug the power supply. Clean and dry the interior thoroughly. To prevent odor and mold growth, leave the door open slightly.

### Energy Saving Tips

- The freezer should be located in the coolest area of the room, away from heat producing appliances and away from direct sun light.
- Let hot food cool to room temperature first before putting in the freezer.
- Overloading the freezer forces the compressor to run longer and the freezing time will be lengthened. Food may lose its quality or spoil if it takes long time to be frozen.
- Be sure to wrap the food properly and dry the containers before placing them in the freezer. This will cut down the frost to build-up inside the freezer.
- Organize and label food to reduce door opening frequency. Remove as many items as needed at one time and close the door as soon as possible.
- The internal compartment should not be lined with aluminum foil, wax paper, or paper toweling. Liners interfere with cold air circulation, making the freezer less efficient.

The followings are not considered as problems for your freezer:

- The refrigerating system runs for a long time when freezer is used for the first time or more food is added to the freezer
- Sound of running water – this is the sound when the refrigerant system is running
- Condensation is normal when the ambient humidity is high. Drops of water may appear on the exterior casing of the cabinet.

# TROUBLESHOOTING

Please check the following points before calling for service.

PROBLEM	POSSIBLE CAUSE
Freezer is not function.	Not plugged in. The circuit breaker tripped or a blown fuse.
Compressor turns on and off frequently.	The room temperature is hotter than normal. A large amount of food has been added to the freezer. The door is opened too often. The door is not closed completely. The temperature control is not set correctly. The door gasket does not seal properly. The freezer does not have the correct clearances. The freezer has recently been disconnected for a period of time. 4 hours are required for the freezer to cool down completely.
Temperature inside the freezer is too warm.	Temperature control is set too warm. Turn the control to a cooler setting and allow several hours for the temperature to stabilize. Door is open for too long or is opened too frequently. Warm air enters the freezer every time the door is opened. The door is not closed completely. The door gasket does not seal properly. A large amount of warm or hot food might have been added at one time. The freezer has recently been disconnected for a period of time. 4 hours are required for the freezer to cool down completely.
Temperature inside the freezer is too cold.	Temperature control is set too cold. Turn the control to a warmer setting and allow several hours for the temperature to stabilize.
Popping or cracking sound when compressor is working	Metal parts undergo expansion and contraction and this is normal. Sound will level off or disappear as freezer continues to run.
Bubbling or gurgling sound, like water boiling.	Refrigerant is circulating throughout the system. This is normal.
Vibrations.	Check to ensure that the freezer is on a level surface. Floor is uneven or weak. The freezer is touching the wall. Re-level the freezer and move it away from the wall.
Moisture/ Condensation on the interior side of the freezer	Weather is hot and humid, which increases internal rate of frost build-up. This is normal. Door is slightly open. Door is open too long, or is opened too frequently. Open the door less often. The door is not sealed properly.
Moisture/ Condensation on the exterior side of the freezer	Humidity is high. This is normal. Door is slightly open, causing cold air from inside the freezer to meet warm moist air from outside.
The door cannot be closed properly.	The freezer is not on a level surface. The gasket is dirty. The storage basket is out of position. The ice formed up excessively.

***The manufacturer and agent decline all responsibilities in the event of damage caused by improper, incorrect or illogical use of the appliance.***

**Contact after sales service center when in doubt of the condition of the appliance.**

**For after sales service [Singapore], please contact**

**Casa (S) Pte Ltd  
15 Kian Teck Crescent, Singapore 628884  
Telephone: +65 6268 0077  
Fax: +65 6898 0510  
Email: [service@casa.com.sg](mailto:service@casa.com.sg)**

The manufacturer or agent cannot held responsible for possible inaccuracies due to printing or transcription errors in the preset booklet.  
The manufacturer or agent reserves the right to make all modifications to its products deemed necessary at any moment and without prior notice, without jeopardizing the essential functional and safety characteristics of the appliances.