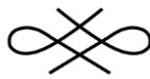




THE BEAUTY OF SIMPLICITY



USER MANUAL



Table of Content

•From the Manufacturer	3
•Specifications	3
•Description of Parts	4
•Safety Regulations	5
•Control operation	6
•Re-circulating	7
•Installation Instructions	8
•Electrical Connection	10
•Cleaning & Maintenance	10
•Troubleshooting	11
•Schematic Diagram	12

Dear Customer,

Thank you for having purchased and given your preference to our product. This manual provides a means to make full use of the features of this product. We recommend that you read this manual for best performance and to extend the life of your appliance.

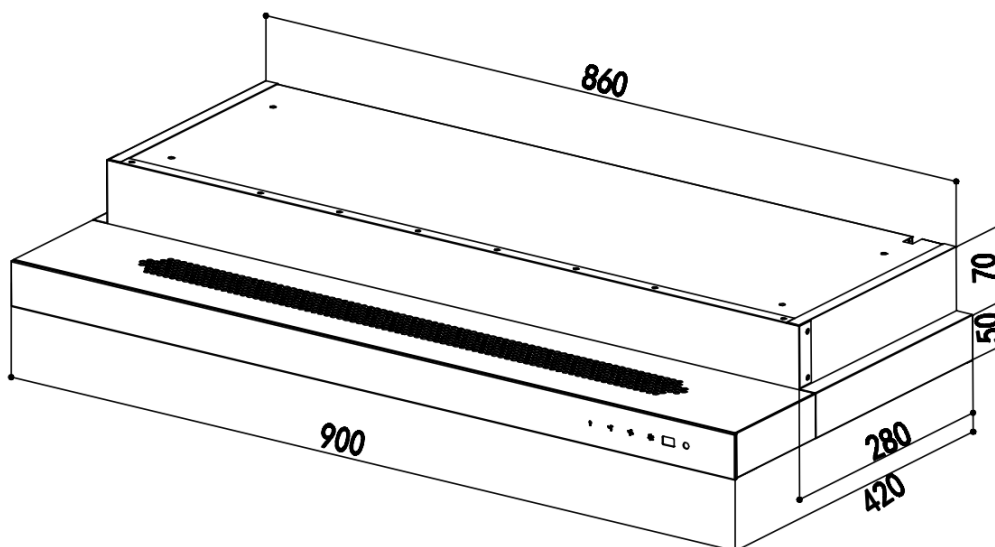
Please preserve this manual for future use, in the event that doubts arise relating to the operation.

From the Manufacturer

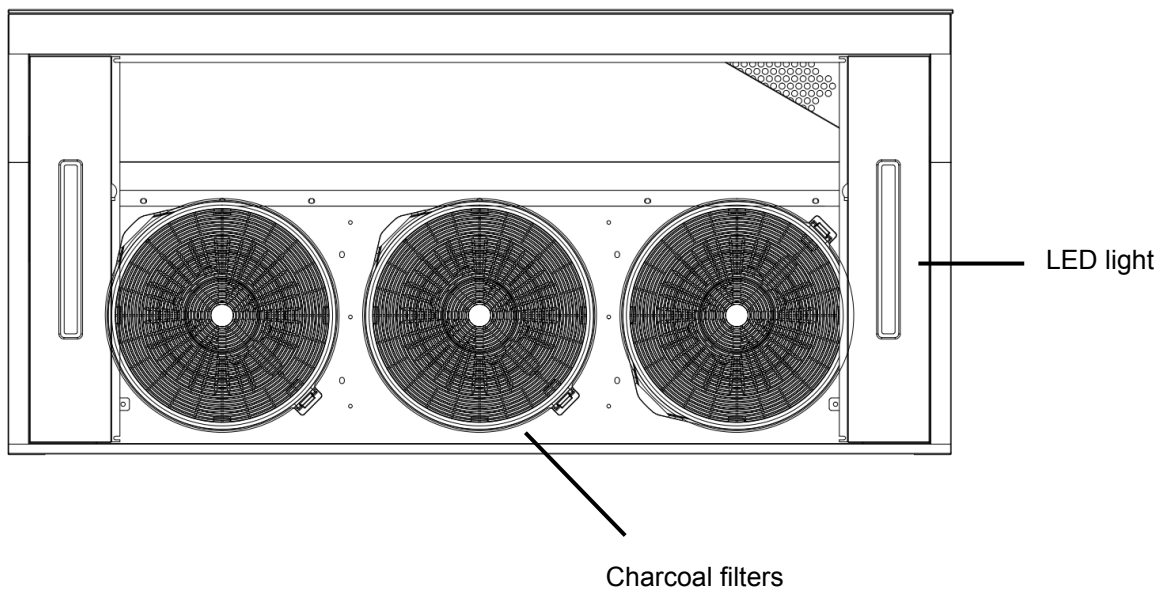
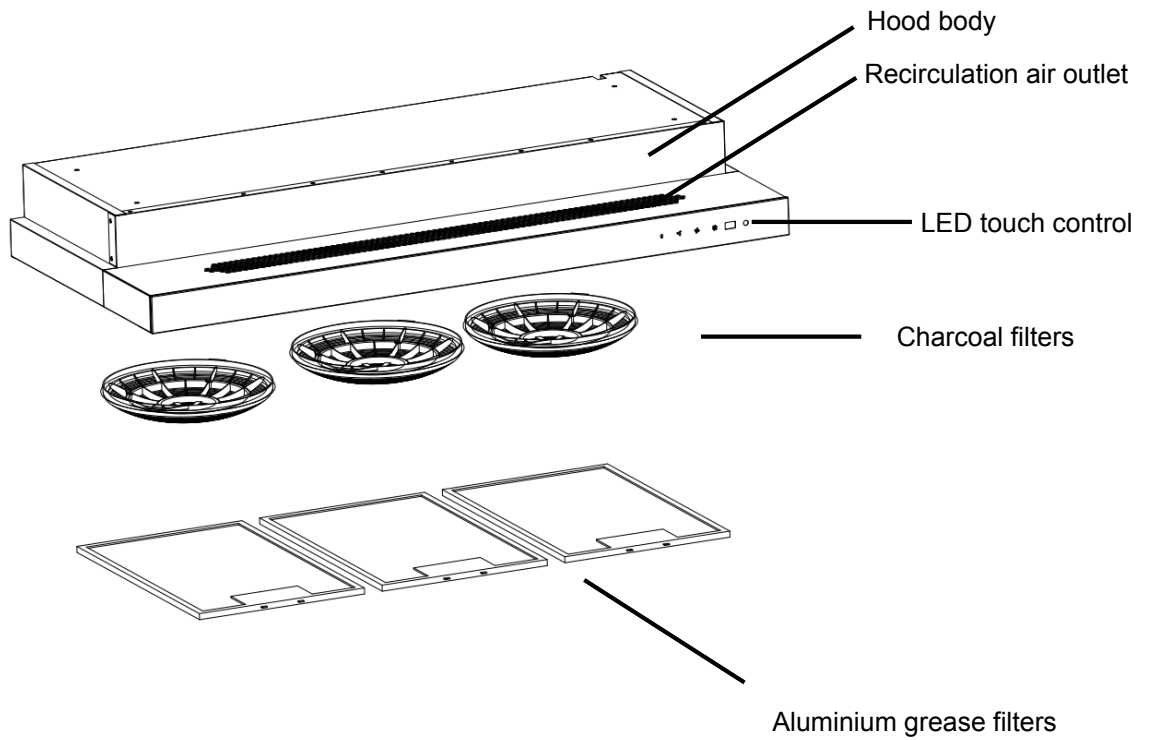
- This appliance and the packaging are produced by processes that minimize waste and friendly to the environment.
- Please dispose the packaging in an environmentally friendly manner.
Safety!
- Please do not allow young children to play with the plastic film and packaging as this may result in suffocation.
- Before disposing of any old appliances, be sure to cut off the power cord so that others will not be endangered by a defective electric appliance.

Specifications

Power Input	:	220-240V 50Hz
Air Flow	:	825m ³ /hr
3 Motors Power	:	255W
LED Light	:	2 X 1W
Product Dimensions(WxDxH)	:	900X420X120mm



Description of Parts



Screws:
Wall screw ST5×40 2PCS
Roof screw ST4×26 4PCS
Plastic expansion screw 2PCS

Safety Regulations

- Do not connect the appliance if there are obvious signs of transportation damage.
- Read this user manual thoroughly before attempting to use this appliance.
- Installation and repair should be attempted only by qualified technical personnel.
- Do not modify any part of this appliance.
- Ensure the location in which this appliance is installed has good, permanent ventilation.
- The distance between the cooking appliance to the lower part of the hood must not be less than 65 cm or higher than 75cm.
- Check that the main voltage in your area corresponds to the voltage of the appliance before plugging in.
- The electrical connection of this appliance must be connected to earth.
 - Green & Yellow = EARTH**
 - Blue = NEUTRAL**
 - Brown = LIVE**
- Multiple plugs and extension cables must not be used. Overload is dangerous and may cause a fire.
- Ensure that the power supply cord is free from any heat source or sharp objects.
- The appliance should be switched off and the electrical supply has to be disconnected before any cleaning or maintenance work can be carried out.
- The company declines all responsibilities in case of failure to adopt proper safety measures stated in this manual.

Control Operation

The cooker hood is equipped with electronic touch control which is located at the right side of the front panel. It comes with light indicator, 3 speeds control, timer display and delay timer button.



Light – On/Off Switch

Touch to turn on the LED light and touch again to turn it off.

To turn on the cooker hood, select the preferred fan speed you wish to use:






Low Speed



Medium Speed



High Speed



- Low speed  – To provide a continuous and silent air change. Suitable for light cooking, e.g. simmering
- Medium speed  – Suitable for most cooking methods, e.g. stir frying, slow boiling
- High Speed  – To eliminate highest cooking vapors emission. Suitable for deep frying or grilling.

You may change the fan speed anytime during cooking.

To turn the cooker hood off, touch the selected fan speed (lighted) again and the motor will be off.



Delay Timer

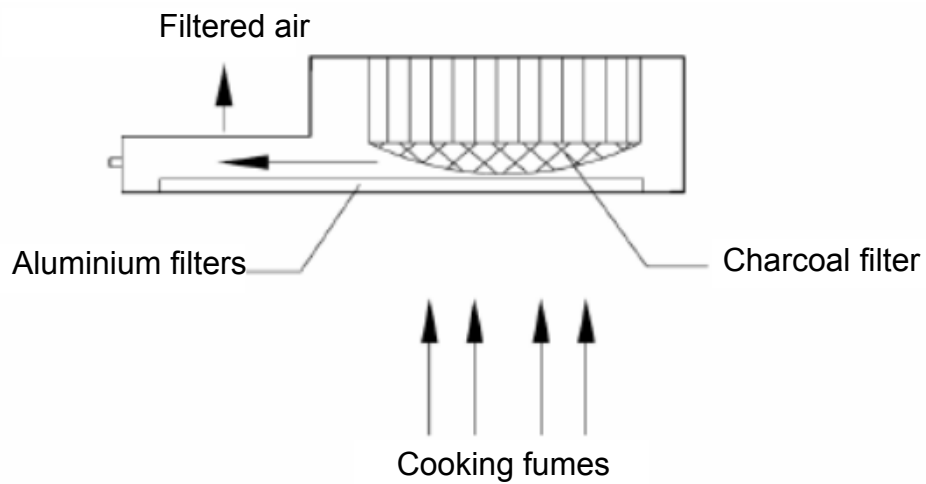
When delay timer is selected, the motor fan will continue to run and will be switched off automatically after the delay timer is up (3-15 minutes). To turn on the delay timer, touch the delay timer button  , the timer display “” will show “03” minutes. Touch again to increase the motor running time. The timer will increase by 3 minutes with every touch (3-6-9-12-15) and the timer display screen will show accordingly.

To cancel the delay timer, press until the timer display screen is back to “00” minutes.

Re-circulating Mode

This cooker hood is configured to operate in re-circulating mode ONLY.

- The cooking smells and fumes are passed through the aluminium filters and charcoal filter respectively. Once filtered, the air is recirculated and re-introduced into the kitchen through the ventilation outlet located at the upper part of the cookerhood.



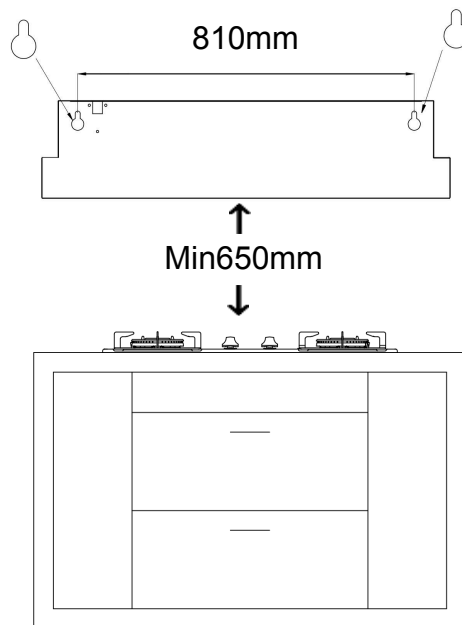
Caution:

- Please remove the aluminium filter before removing the charcoal filter!
- In recirculating mode, charcoal filter is to be fitted.

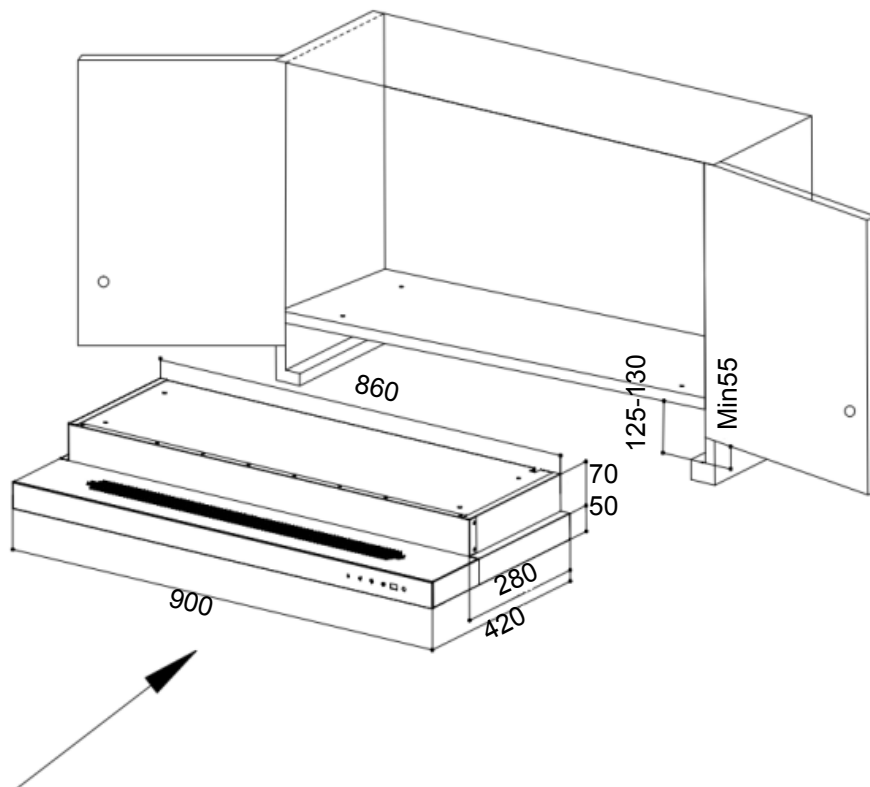
Installation Instructions

Installation(1)-Wall Mounting

- The appliance should be placed at a distance of 650-750mm from the cooking surface for best effect.
- Drill 2 x Ø8mm holes on the wall with the distance of 810mm
- Insert the nut into the holes .
- Insert the screws into the nuts and leaving 5mm untightened.
- Put up the cooker hood onto the screws till the screws are engaged in a narrow end of the holes. Tighten screws completely .

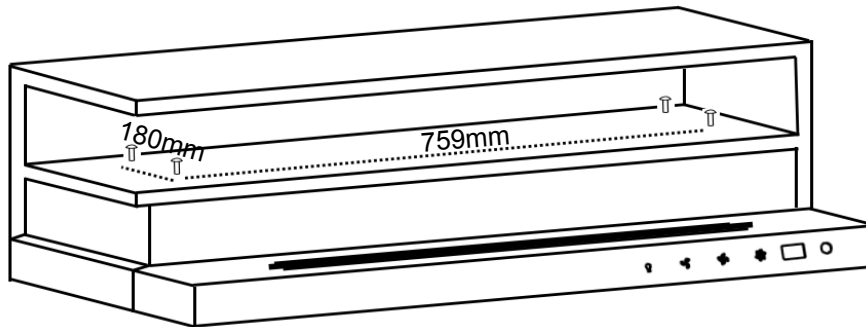


Installation(2)-Cabinet Slot-in



Installation (3)-Cabinet Mounting

- To drill holes in the cabinet according to drawing
- Twist the screws into the appliance through the Cabinet



Electrical Connection

Before completing any connection, make sure the house voltage corresponds to the voltage indicated on the label affixed inside the appliance.

It is advisable to call a qualified technician to make the electrical connection.

Appliance fitted with plug

Connect it to a socket which conforms to current regulations. If you intend to connect it directly to the electric mains, remove the plug and fit an approved bipolar switch with a minimum contact opening of not less than 3mm.

If the plug is not accessible once it has been inserted in the socket, it will however be necessary to fit an approved bipolar switch with a minimum contact opening of no less than 3mm.

Appliance without plug

Fit an approved plug or an bi-polar switch with a minimum contact opening of no less than 3mm. The company is not liable for any problems caused by the user's failure to comply with the above instructions.

Cleaning & Maintenance

Regular maintenance and cleaning ensures good performance and reliability, while extending the working-life of the appliance.

SURFACE :

Wash with warm soapy water and a soft sponge. Never use abrasive detergent, scouring pads, steel wool or solvents on any part of this appliance as this will cause irreparable damage.

Note: Never use metallic scouring pads or abrasive products that could damage the surface.

ALUMINIUM GREASE FILTERS : Wash in the dishwashers or soak the panels in a degreasing agent for an hour, then rinse off. The filter must be cleaned at least once a month or depending on the frequency of appliance usage.

CHARCOAL FILTERS:(only in re-circulating model): Charcoal filter cannot be reused. They must be replaced once every 6 months or depending on the frequency of appliance usages to ensure good performance.

LED LIGHT REPLACEMENT: Before attempting to replace the LED light, make sure that the light switch is turned off. Remove the grease filter to access the LED light.

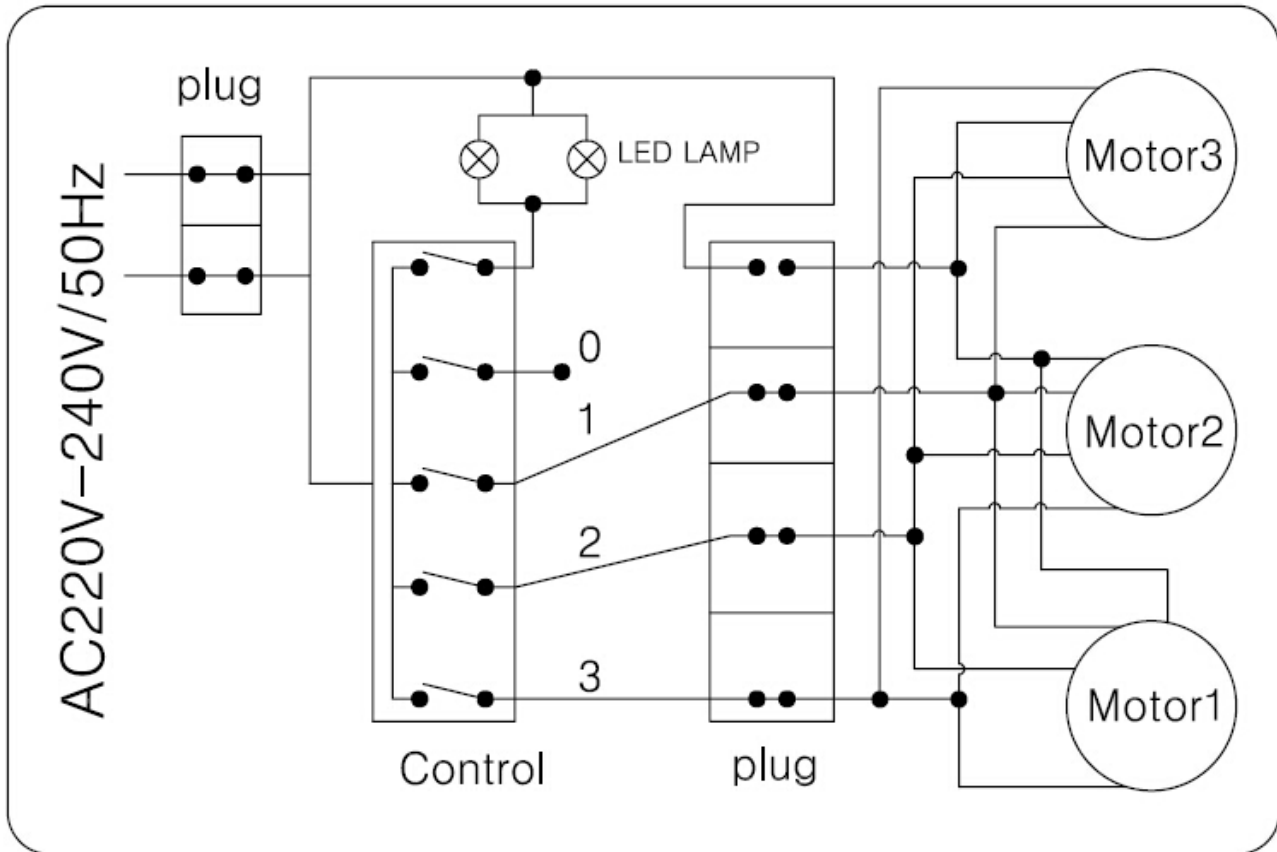
Troubleshooting

Symptoms	Possible Cause	Action
Motor does not function	<ul style="list-style-type: none"> - No electrical supply - Plug and main switch not connected - Damaged switch or short circuit 	<ul style="list-style-type: none"> - Check that the plug is connected and the main switched is turned on. - Check if the switch is damaged or short circuit – replace or repair.
Poor airflow	<ul style="list-style-type: none"> - Distance between the cooking appliance and the hood is too high - Fan operation speed is too low - Charcoal filters clogged 	<ul style="list-style-type: none"> - Adjust installation height - Replace motor or capacitor – contact technician - Replace charcoal filters
Motor running but No airflow	<ul style="list-style-type: none"> - Air flow blade is jammed 	<ul style="list-style-type: none"> - Adjust air flow blade contact technician
Motor shut off after a few minutes	<ul style="list-style-type: none"> - High temperature – safety device activated - The hood is installed too near to the cooking appliance 	<ul style="list-style-type: none"> - The kitchen is not sufficiently ventilated - Adjust installation height – must be at least 65cm from cooking appliance
Strong Vibration	<ul style="list-style-type: none"> - Hood installed incorrectly - Fan installed incorrectly - Fan is damaged 	<ul style="list-style-type: none"> - Reinstall the hood correctly - Reinstall the fan correctly - Replaced or repair
Strong cooking smell	<ul style="list-style-type: none"> - Charcoal filters not installed 	<ul style="list-style-type: none"> - In re-circulating mode, charcoal filters must be installed
Oil dripping onto stove	<ul style="list-style-type: none"> - Aluminium grease filter is saturated 	<ul style="list-style-type: none"> - Wash the aluminium grease filters
Whirring sound	<ul style="list-style-type: none"> - Foreign object in contact with fan blade 	<ul style="list-style-type: none"> - Contact technician

In the event of any uncertainties arise on appliance or if the appliance is not function properly, please stop using it and contact our customer service immediately.

Schematic Diagram

3 motors version



Please note:

**Casa (S) Pte Ltd reserves all rights to the final interpretation of the content of this manual.
Customer will not be notified in the event of any amendments to the content.**

**Casa (S) Pte Ltd declines all responsibilities in the event of damage caused by
improper, incorrect or illogical use of the appliance.**

For original parts & reliable service:

CASA (S) PTE LTD
15 KIAN TECK CRESCENT,
SINGAPORE 628884
TEL:+65 6268 0077
FAX:+65 6898 0510
Email:service@casa.com.sg