

COOKER HOOD

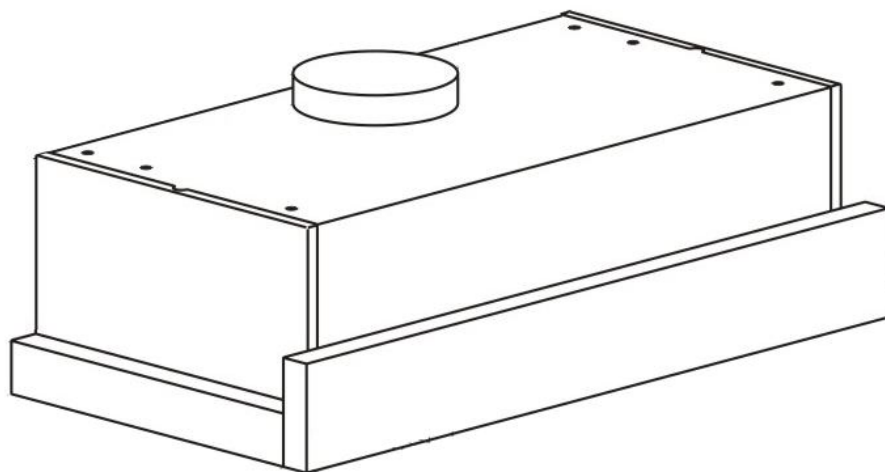
EFCH 9402-AL



THE BEAUTY OF SIMPLICITY



USER MANUAL



User Instruction

Note: Please read the instructions before installation.

- ✧ Your cooker hood is for domestic use only, not suitable for barbecue and other commercial use.
- ✧ Any installation work must be carried out by a qualified electrician or qualified installer.
- ✧ The cooker hood and the aluminium filters should be cleaned regularly to maintain in good working condition.
- ✧ Before cleaning, always ensure that you have switched off your cooker hood.
- ✧ Clean the cooker hood as shown in the instruction manual.
- ✧ Do not dry your cooker hood over fire.
- ✧ If there is any fault with your cooker hood, please call the service department appointed by agent for servicing.
- ✧ If there is any fault with your cooker hood, please call the service centre at:

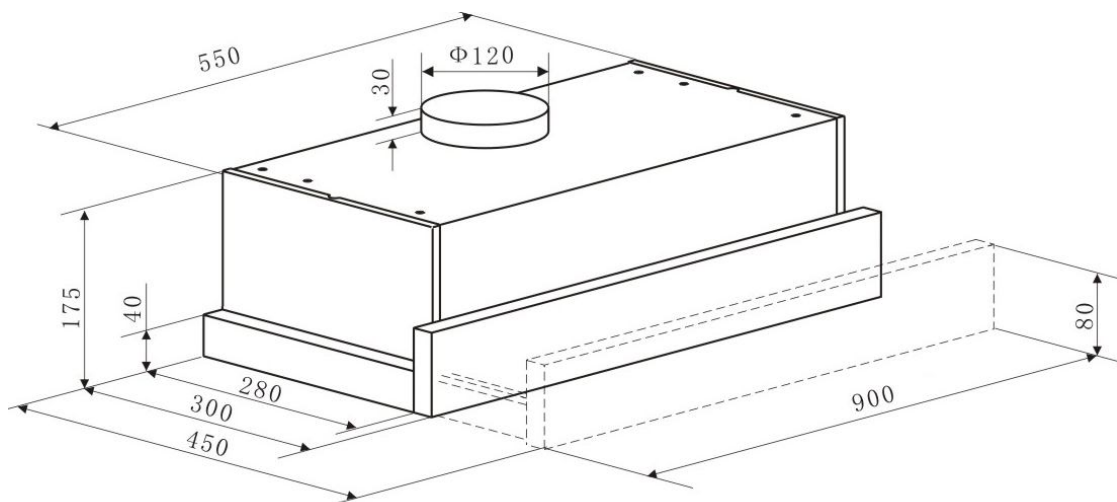
Casa (S) Pte Ltd

15 Kian Teck Crescent Singapore 628884

Service Hotline: 6268 0077

Service Fax: 6898 0510

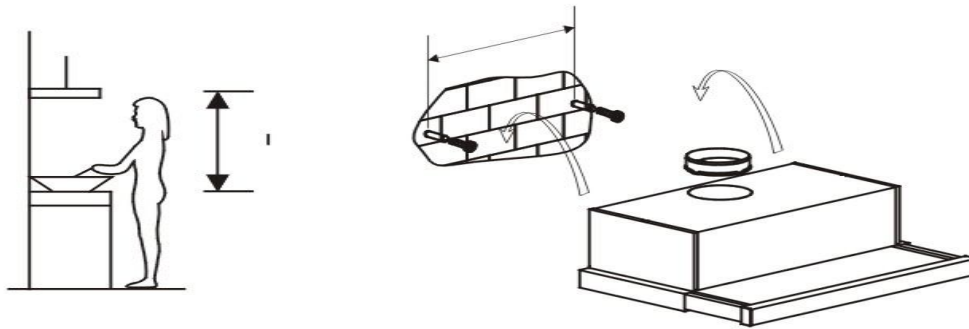
Email: service@casa.com.sg



INSTALLATION INSTRUCTIONS

Way one:

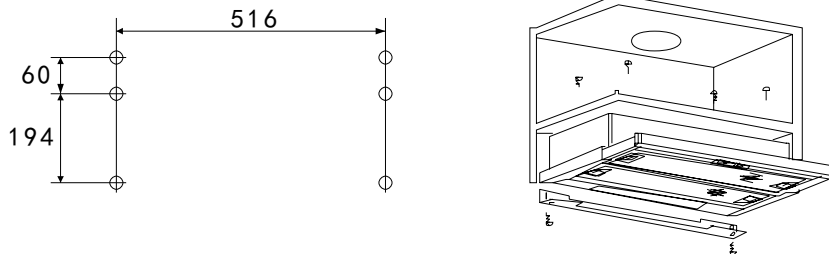
- 1 The cooker hoods should be placed at a distance of 65-75cm from the cooking surface for best effect.
- 2 To install onto the wall drill 2 holes of Ø8mm on a suitable place according with the centre distance of hole in the back of the cooker hood.
- 3 Insert the nut into the holes.
- 4 Insert the screws into the nuts and tight.
- 5 Put up the cooker hood onto the tighten screws.



- 6 Put the one way valve onto the cooker hood.

Way two:

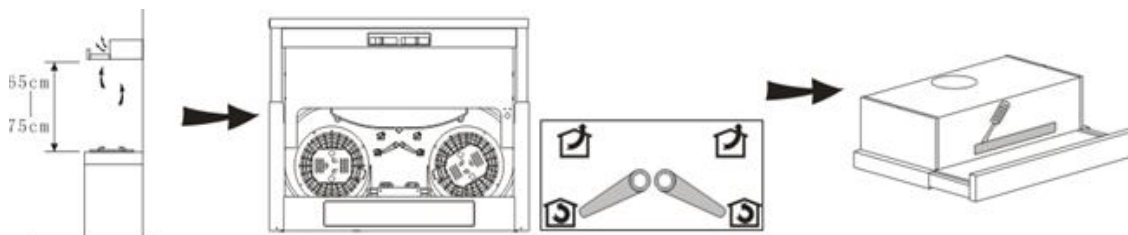
- 1 Drill 6 holes of 4mm diameter at the bottom of the hanging cupboard
- 2 Put the one way valve on the cooker hood, then install the cooker hood on the bottom of the cupboard, tighten the hood with enclosed 6 screws.
- 3 Install the adjusted board on the bottom of the hood in order to keep out the gap between hood back and cupboard.



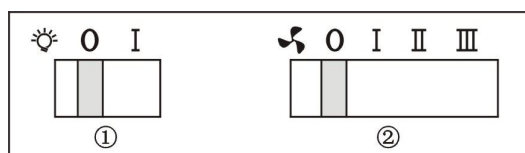
ATTENTION: should the lamps not work, make sure they are well tightened

OPERATION

- 1 Connect the plug into the power.
- 2 Choose the ducting mode or the recirculation mode as you need (for Front-re-circulating models only) :



- 3 Push the switch ① into "I", the lamp be on; push into "0", the lamp be off.
- 4 Push the switch ② into "I, II, III", the motor will be on "low, mid, high" three speeds, push into "0", the motor will be off.



USE AND MAINTENANCE

It is recommended to operate the appliance prior to cooking.

It is recommended to leave the appliance in operation for 15 minutes after cooking is terminated in order to completely eliminate cooking vapours and odours.

If the appliance is not used, please turn off.

Don't use or stop use if the appliance is damaged especially the supply cord and the case.

If the supply cord is damaged, it must be replaced by the manufacturer, its service agent or similarly qualified persons in order to avoid a hazard.

Don't immerse the appliance in liquid.

The exhaust air must not be discharge into a flue which is used for exhausting fumes from appliance burning gas or other fuels.

Regulations concerning the discharge of air have to be fulfilled.

The proper function of the cooker hood is conditioned by the regularity of the maintenance operations, in particular, the active carbon filter.

The anti-grease filters capture the grease particles suspended in the air, and are therefore subject to clogging according to the frequency of the use of the appliance.

In order to prevent fire hazard, it is recommendable to clean the filter at a maximum of 2 months by carrying out the followings:

- Remove the filters from the cooker hood and wash them in a solution of water and neutral liquid detergent, leaving to soak.

- Rinse thoroughly with warm water and leave to dry.

- The filters may also be washed in the dishwasher.

The aluminum panels may alter in color after several washes. This is not cause for customer complaint nor replacement of panels.

Clean the fan and other surface of the cooker hood regularly using cloth moistened with denatured alcohol of non abrasive liquid detergent.

Before any repair on the cooker hood, detach all plugs.

Replace filters approximately every 4 months.