

ISLAND HOOD



EMBRACING FINEST MOMENT

CK LUNA IS
User Manual

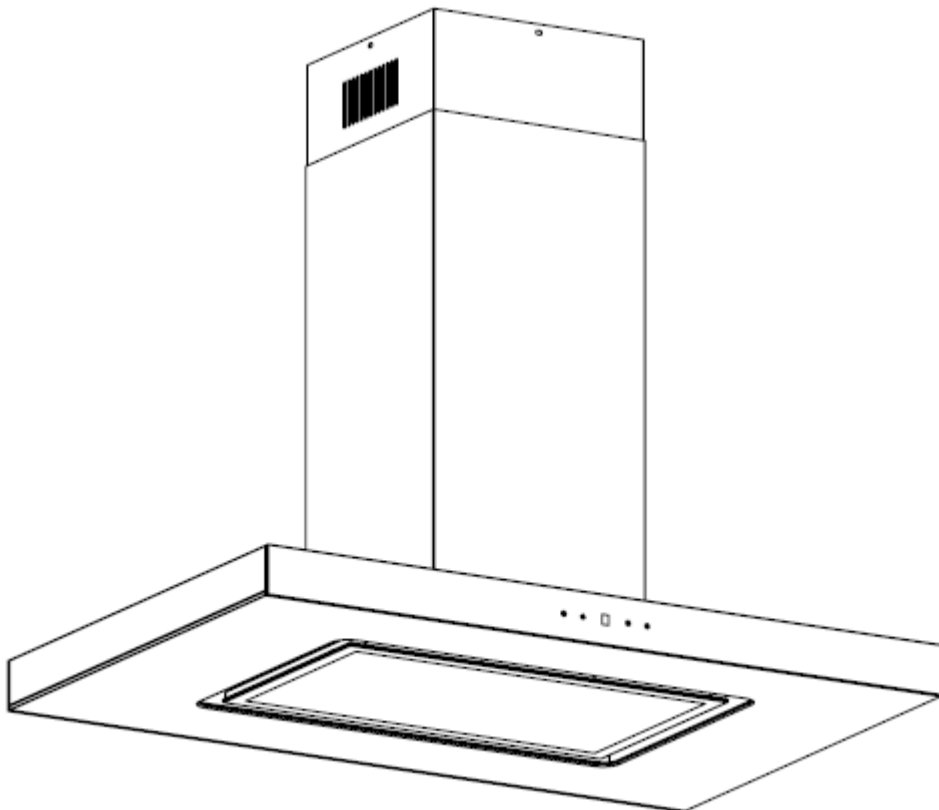


TABLE OF CONTENTS

Safety Guidelines.....	1
General Information.....	4
Installation.....	5
Operation.....	9
Cleaning and Maintenance.....	11
Trouble Shooting.....	14
Warranty and Service.....	15

Dear Customer,

Thank you for having purchased and given your preference to our product. This manual provides a means to make full use of the features of this product. We recommend that you read this manual for best performance and to extend the life of your appliance.

Please preserve this manual for future use, in the event that doubts arise relating to the operation.

SAFETY GUIDELINES

Packaging

- This appliance and the packaging are produced by processes that minimize waste and friendly to the environment.
- Please dispose the packaging in an environmentally friendly manner
- Please do not allow young children to play with the plastic film and packaging as this may result in suffocation.
- Before disposing of any old appliances, be sure to cut off the power cord so that others will not be end angered by a defective electric appliance

Installation and Usage

- Read this user manual thoroughly before attempting to use this appliance.
- This appliance is intended for domestic use only. The appliance is not intended for use outside.



- The appliance can only be used safely if it is correctly installed according to the safety instructions.
- Do not connect the appliance if there are obvious signs of transportation damage.
- Ensure that the appliance is installed in a location with good ventilation.
- Installation and repair should be attempted only by qualified technical personnel.
- Do not modify any part of this appliance.
- This appliance may be used by children over the age of 8 years old and above and persons with reduced physical, sensory or mental capabilities or lack of experience

and knowledge if they have been given supervision or instruction concerning use of the appliance in a safe way and understand the hazards involved.

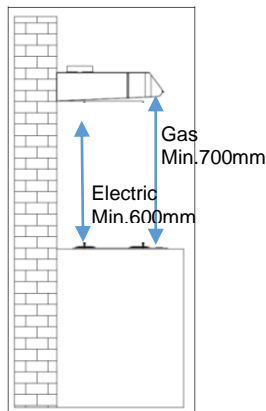
- Children must not play with the appliance. Cleaning and user maintenance shall not be made by children without supervision.
- Caution: The appliance and its accessible parts can become hot during operation. Never touch the hot parts. Allow appliance to cool down before cleaning.
- Check that the main voltage in your area corresponds to the voltage of the appliance shown on the rating label before plugging in.
- The electrical connection of this appliance must be connected to earth.

Green & Yellow = EARTH

Blue = NEUTRAL

Brown = LIVE

- Multiple plugs and extension cables must not be used. Overload is dangerous and may cause a fire.
- Ensure that the power supply cord is free from any heat source or sharp objects.
- The recommended minimum installation height from the bench top to the lower part of the hood is 700mm and 600mm respectively for gas hob and electric hob.



- If the instructions for the installation of gas hob is greater than the recommended height, this has to be taken into account.
- Ensure that the filters are cleaned or replaced at an appropriate intervals to prevent grease deposit to build up and increases the risk of fire.
- The appliance should be switched off and the electrical supply has to be disconnected before any cleaning or maintenance work can be carried out.
- Do not flambé or grill with an open flame directly under this appliance. Flame could be drawn up to the hood by the strong suction and may risk the grease filter to catch fire.

IMPORTANT:

The company declines all responsibilities for any damages resulting from improper installation or poor layout design and/or failure to adopt proper safety measures stated in this manual.

Warning!!!

- Never operate the appliance without the grease filters or if the filters are excessively greasy
- Do not install above a cooker with a high level grill.
- Do not leave frying pans unattended during cooking as overheated fats or oil might catch fire.
- Never leave naked flames under the appliance.

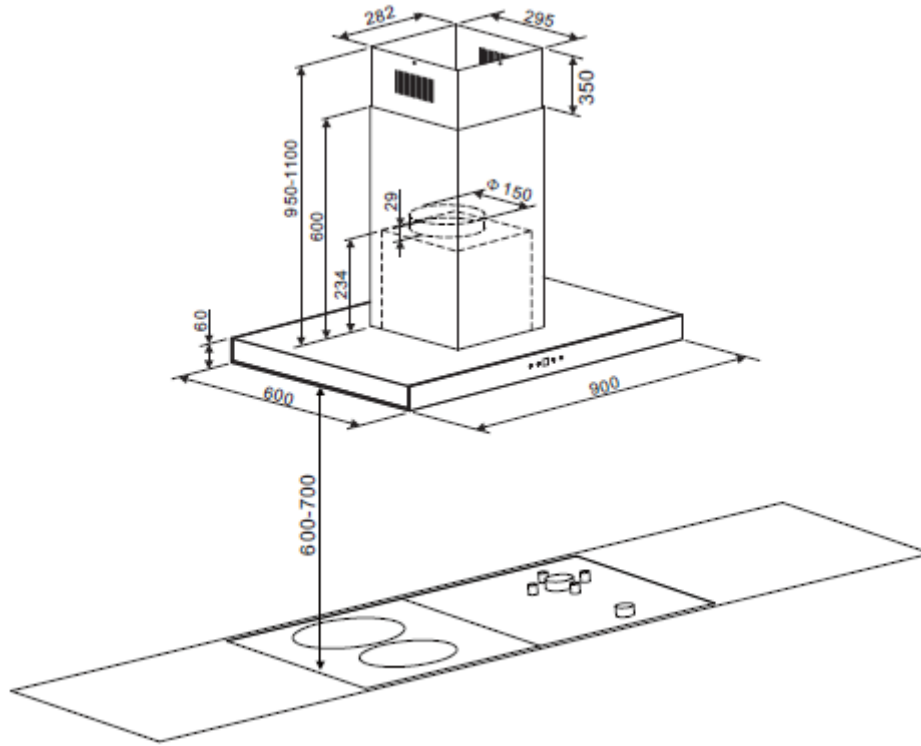


- If the cooker hood is damaged, do not attempt to use.
- Do not flambé under the cooker hood.
- The air must not be discharged into a flue that is used for exhausting fumes from appliances burning gas or other fuels. Range hoods and other cooking fume extractors may adversely affect the safe operation of appliances burning gas or other fuels (including those in other rooms) due to back flow of combustion gases. The gas can potentially result in carbon monoxide poisoning. After installation of a range hood or other cooking fume extractor, the operation of open flued gas appliances should be tested by a competent person to ensure that back flow of combustion gases does not occur.



GENERAL INFORMATION

SPECIFICATIONS:



COMPONENT LIST:

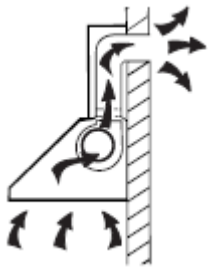
1×		12×		26×		1×	
1×		8×		8×		1×	
1×		12×		1×		1×	
1×		4×		1×		1×	
1×		42×		26×			

INSTALLATION

This appliance can be installed in ducted or recirculation mode.

Ducted Mode

- In ducted mode, the extractor hood fan extracts the cooking vapour and passes them through the grease filter before it is expelled to outside atmosphere.
- The grease filter absorbs the solid particles in the cooking vapors.
- In this mode, only aluminum filters are installed (charcoal filter is optional).



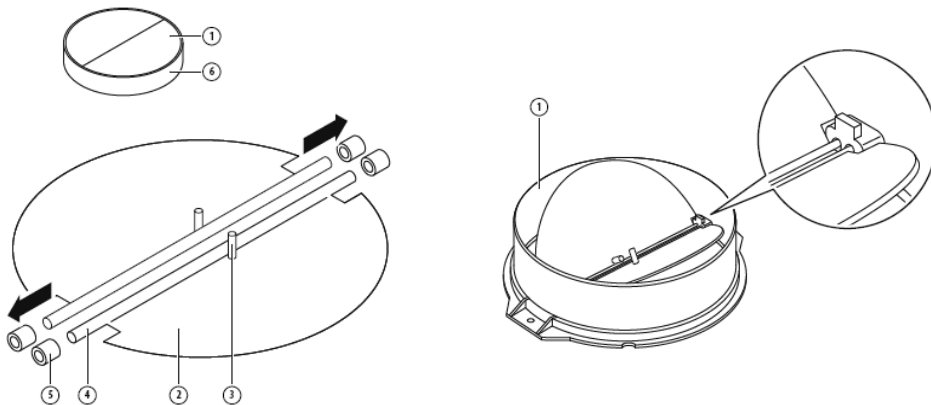
The hood can be connected as below picture by means of an exhaust duct(enamel, aluminum, flexible pipe or non-flammable material with an interior diameter of 150mm)

MOUNTING OF THE V-FLAP

The image only show an example on mounting the V-flap. The outlet may vary according to different models and configurations.

To mount the V-flap:

- Mount two half-parts 2 into the body 6;
- No.3 should be top oriented;
- Insert No. 4 to No. 5 on the body;



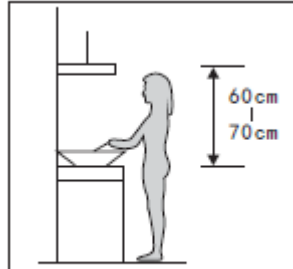
CONNECTION OF EXHAUST DUCT

- Attach Ø150mm pipe directly to the air outlet and secure appropriately
- Connect pipe to the outdoor duct



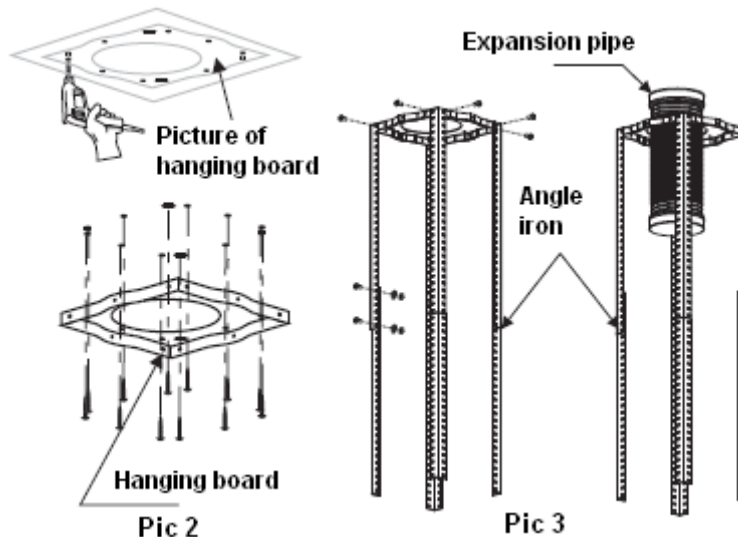
CEILING MOUNTING

- The ceiling must be able to bear the weight of at least 120kg and the thickness of the ceiling must be $\geq 30\text{MM}$, drill 1*170mm round hole in the ceiling.
- Do ensure that there are no electrical wires, gas pipes or water pipes in the area where holes are to be drilled.
- The appliance should be placed at a distance of 60~70cm above the cooking surface for best effect, see pic 1.

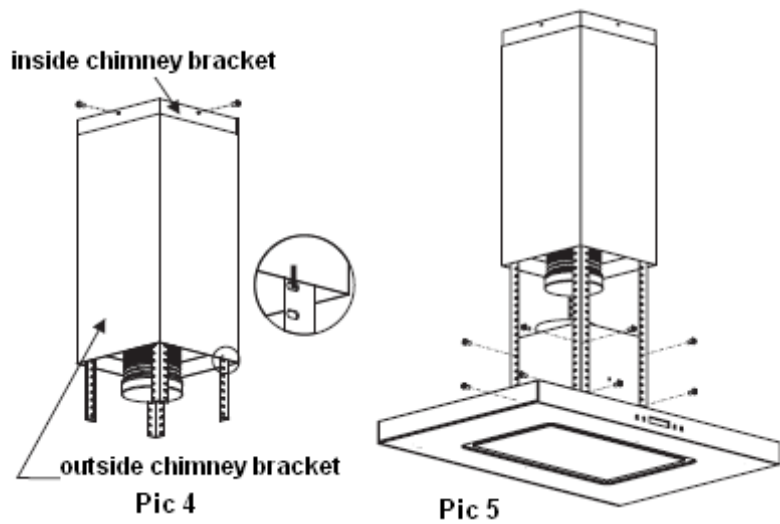


Pic 1

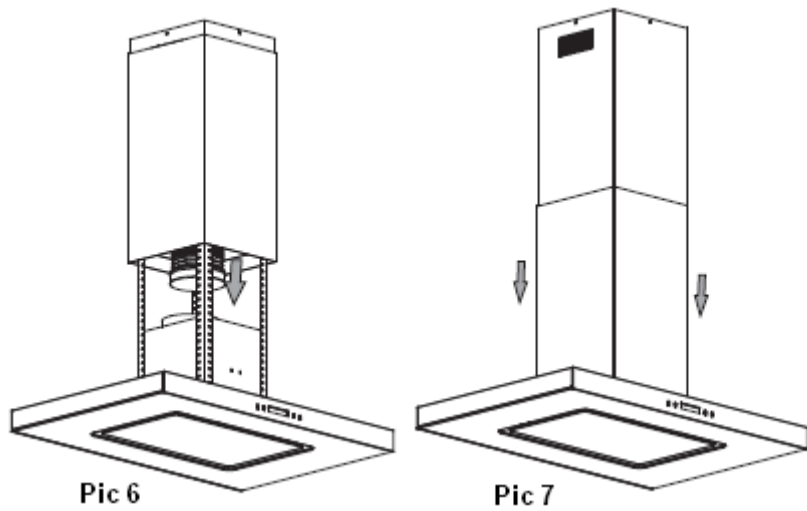
- The surface of the appliance is sensitive, avoid damaging it during installation.
1. Before fitting, determine the total height of the support frame and mark the screw holes.
 2. On the ceiling, mark the centre point of the appliance.
 3. According to the picture of the hanging board, drill 12 holes in the ceiling for the fasteners, see pic2, and press in the wall plugs flush with the ceiling.
 4. Fasten the hanging board with 12pcs of ST6*40mm big flat screws to the ceiling, see pic 2.
 5. Fix the 4 x angle irons (upper part) into the hanging board by using 8pcs of M4*10mm screws and M4 nuts with gaskets, see pic 3.
 6. Calculate the required length of the angle iron and connect the other 4 x angle irons (lower part) with 16pcs of M4*10mm big flat screws and M4 nuts with gaskets(the overlapping length of the angle iron cannot be less than 100mm), see pic 3.
 7. Let one side of the exhaust duct go outside through the hole of 170mm, see pic 3.



8. Connect the inside chimney (upper chimney) to the hanging board with 4pcs of ST4*8 big flat screws. Then put the outside chimney (lower chimney) and secure it with a hook to temporarily hold on to the upper position for ease of subsequent installation, see pic 4.



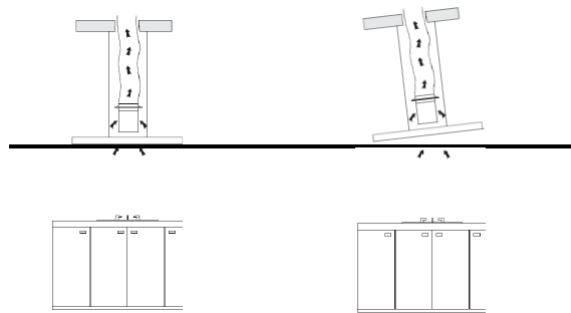
9. Hold the appliance main body and fastening the appliance to the angle iron using 16pcs of M4*10mm big flat screws, see pic 5.
10. Connect the exhaust duct to the outlet of the appliance.
11. Once the connection is done, remove the hook that hold on the outside chimney previously (pic.4) and re-position the outside chimney, see pic 6&7.



HINTS FOR EXHAUST DUCT INSTALLATION

The following rules must be strictly followed to obtain optimal air extraction:

- Keep the exhaust duct short and straight.
- Do not reduce the size or restrict the exhaust duct.
- Failure to observe these basic instructions will reduce the performance and increase noise level of the appliance.
- Any installation work must be carried out by a qualified electrician or competent person.
- Do not connect the ducting system of the hood to any existing ventilation system which is being used for any other appliance, such as warmer tube, gas tube, hot wind tube.
- The angle of the bend of the exhaust duct should not be less than 120°; you must direct the duct horizontally or alternatively, the duct should go up from the initial point and should be led to an outer wall.
- After the installation, make sure that the appliance is level to avoid grease collection at one end.
- Ensure the exhaust duct selected for installation complies with relevant standards and is fire retardant.



WARNING:








- For safety reason, please use only the same size of fixing or mounting screws which are recommended in this instruction manual.
- Failure to install the screws or fixing device in accordance with these instructions may result in electrical hazards.








OPERATION


To achieve a more effective way to remove the fumes, we recommend that to switch on the appliance a few minutes before cooking and leave it on for 5-10 minutes after cooking.

Touch Control Panel with LED Light Display:






Symbol	Indication
	Delay Stop Timer
	Light On/Off
	Display Window
	Fan Speed
	Power On/Off

1. Power-on: After connecting the appliance to the main supply, all the symbol will be light up and an audible signal will sound before the LED light is off. The appliance is on stand-by mode.
2. Touch the on/off switch  once, the appliance will start operating at low speed“1”.
3. Touch the speed button  to increase the fan speed 1 (low) → 2 (medium) → 3 (high). The speed button  is working in circulating module. To reduce the speed, touch the button  again and the speed will go back to “1” after the highest speed of “3” is selected – “1->2->3->1->2->3....”
4. Light button  . Touch the light button to on or off the LED light.
5. Delay Stop Timer 
 - I. The delay stop timer is working only when the appliance is in operation mode (speed 1, 2 or 3).
 - II. Touch the delay stop timer  to enter to time delay function. The delay stop timer setting is 9 minute and the display window will show “9” with decrement by one minute. When the time is up, the appliance will turn off automatically including the LED light.

- III. To de-activate delay stop function, touch the delay stop button anytime or touch the speed button  while the appliance is in delay stop timer mode

6. Gesture Sensor Mode:

This appliance comes with gesture sensor control.

- I. Wave your hand from left to right once within 8 cm from the front control panel, the symbol light of  (Speed),  (Light) and  (Power) will be on. The appliance will be turned on with low speed and the display window will show "1". The LED light will turn on automatically. Wave your hand from left to right again, the speed will change to medium "2" and the display window will show "2". Wave your hand in the same direction as above for another time, the appliance works at high speed and the display window will show "3".
- II. To reduce the speed, wave your hand from right to left once, the appliance will shift to lower speed "3 -> 2 -> 1". From speed "1", wave your hand from right to left again, the appliance will be turned off and enter into standby mode. All the symbol light will be off.
- III. If the appliance is not in operation for 10 minutes (inactive), the gesture sensor will enter into sleeping mode. Re-awake gesture function requires manual operation of any function buttons. The gesture function can be operated only when it has been activated.

7. Ionizer:

- I. The ionizer will be activated automatically when the appliance is in operation mode (speed 1, 2 or 3).
- II. When ionizer is activated, it will generate a large amount of negative ions which can eliminate smoke and dust to achieve better air quality in the kitchen.

CLEANING AND MAINTENANCE

Caution:

- Before maintenance or cleaning is carried out, the appliance should be disconnected from the mains power supply. Ensure that the appliance is switched off and the plug is removed.
- External surfaces are susceptible to scratches and abrasions, so please follow the cleaning instructions to ensure the best possible result is achieved without damage.

GENERAL

Cleaning and maintenance should be carried out when the appliance has cool down. Avoid leaving alkaline or acid substances (lemonjuice, vinegar etc.) on the surfaces.

STAINLESS STEEL

Use warm soapy solution with a soft damp cloth to wipe the stainless steel area/body. Dry with a clean soft cloth. A specialized stainless steel cleaning fluid may be used.

NOTE:

Ensure that wiping is done along with the grain of the stainless steel to prevent any unsightly crisscross scratching patterns from appearing.

CONTROL PANEL SURFACE

The inlay control panel can be cleaned using warm soapy water with a soft cloth. Use a dry soft cloth to remove any excess moisture left after cleaning.

Important

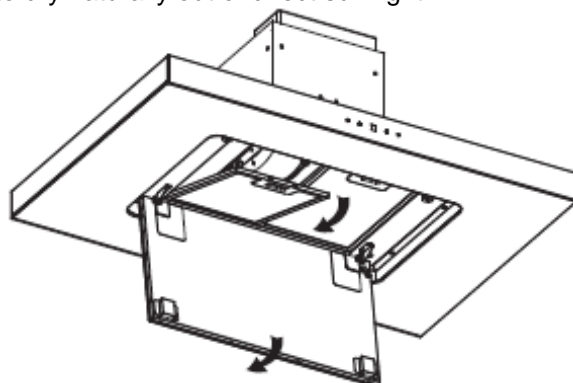
Using neutral detergents and avoid using harsh cleaning chemicals, strong household detergents or products containing abrasives as this will affect the appearance of the appliance and potentially remove any printing of artwork on the control panel and will void manufactures warranty.

OIL COLLECTOR TRAY

- When the oil tray is about 2/3 full the oil tray needs to be cleaned.
- To remove the oil tray, push the oil tray towards the front (see below photo 1)
- Discard the oil before cleaning or washing the tray.
- Ensure the tray has been cleaned and dried before reattaching to the appliance.
- To fix the oil tray, slot the oil tray by inserting it to the 2 side guide and push backward to lock the oil tray

METAL GREASE FILTERS

- To remove the metal grease filter, open the LED light panel by pulling it down gently.
- Take the filters out from the holder.
- Soak the filters in hot soapy water for 5-10 minutes. Clean the filters with a soft brush and the rinse off thoroughly. Leave to dry naturally out of direct sun light.



- Alternatively, the metal grease filters can be washed in dishwasher. Do not wash the filters together with the cookware.
- Leave enough space around the filters when place in the dishwasher so that the filters can be cleaned thoroughly. Position the filters vertically to improve the cleaning process.
- Select a temperature of no more than 70°C.
- Slight discoloration may occur if the metal grease filters are cleaned in the dishwasher. This does not affect the performance of the filters.

Notes:

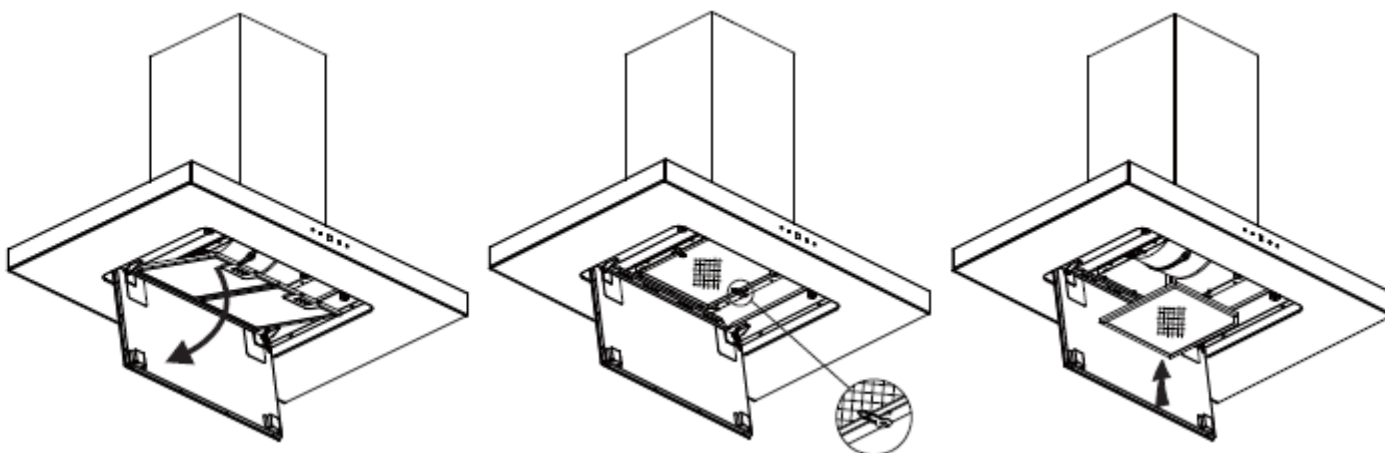
Components inside the appliance may have sharp edges. It is recommended to wear protective gloves when doing maintenance.

It is important to clean the baffle filters regularly as the grease deposits build-up increase the risk of fire. Do not operate the appliance without baffle filters.

CHARCOAL FILTER

Activated charcoal filter is used to filter odors. It is not washable and cannot be reuse. It must be replaced every 3 to 6 months or according to the frequency of the appliance usages to ensure good performance.

- To remove the charcoal filter, pull down the LED light panel and remove the metal grease filters (refer to the above on how to remove the filters)
- Pull the two fixing bars down and take the charcoal filter out from the lodgment. Hold on to the filter from underneath with your the other hand when removing the filter.
- Apply reverse procedure to re-install the charcoal filter.





NOTE:

- Make sure the filter is securely locked. Otherwise, it would loosen and cause danger.
- When activated carbon filter attached, the suction power will be lowered.

LED LIGHT REPLACEMENT

Defective LED light must be replaced by the service agent or qualify technician only. Kindly contact CASA after sales service center for LED light replacement.

ENVIRONMENTAL PROTECTION

 	<p>This product is marked with the symbol on the selective sorting of waste electronic equipment. This means that this product must not be disposed of with household waste but must be supported by a system of selective collection in accordance with Directive 2012/19/EU. It will then be recycled or dismantled to minimize impacts on the environment, electrical and electronic products are potentially dangerous for the environment and human health due to the presence of hazardous substances. For more information, please contact your local or regional authorities.</p>
--	---

NOTE:

The following shows how to reduce total environmental impact (e.g. energy use) of the cooking process).

- (1) Install the appliance in a proper place where there is efficient ventilation.
- (2) Clean the appliance regularly so as not to block the airway.
- (3) Remember to switch off the appliance light after cooking.
- (4) Remember to switch off the appliance after cooking.

INFORMATION FOR DISMANTLING

Do not dismantle the appliance in a way which is not shown in the user manual. The appliance could not be dismantled by user. At the end of life, the appliance should not be disposed of with household waste. Check with your Local Authority or retainer for recycling advice.

TROUBLE SHOOTING

Symptoms	Possible Cause	Action
Appliance does not function	No electrical supply. Plug and main switch not connected	Check that the plug is connected and the main switched is turned on.
	Damaged switch or short circuit	Check if the switch is damaged or short circuit – replace or repair.
Poor airflow	Distance between the cooking appliance and the hood is too high	Adjust installation height
	Metal grease filters clogged	Clean metal grease filters
	Charcoal filters clogged	Replace charcoal filters
Motor running but No airflow	Air flow blade is jammed	Adjust air flow blade - contact Customer Care Center
Hood suction is not effective	Insufficient ventilation	Ensure that the kitchen is sufficiently ventilated to allow entry of fresh air
	The hood is installed too near or too far to the cooking appliance	Adjust installation height – recommended height is 70cm/60cm from cooking appliance
Strong Vibration	Hood installed incorrectly	Reinstall the hood correctly
	Fan installed incorrectly	Reinstall the fan correctly
	Fan is damaged	Replaced or repair
Strong cooking smell	Charcoal filter snot installed	In re-circulating mode, charcoal filters must be installed
Whirring sound	Foreign object in contact With fan blade	Contact Customer Care Center
LED light not working	LED burnt out or loose	Contact Customer Care Center



NOTE:

Any electrical repairs to this appliance must conform to your local, state and federal laws. Please contact the service center if in any doubt before undertaking any of the above. Always disconnect the unit from the power source when opening the unit.

WARRANTY AND SERVICE

- To activate your warranty, please register your appliance.
- Warranty registration can be done via our website or scan the QR code below

Website

<https://shop.casa.sg/E-Warranty>

QR Code

Scan the QR Code below. It will redirect straight to our “Warranty Registration” page.



Casa (S) Pte Ltd. reserves the rights to the final interpretation of the content of this manual. Customer will not be notified in the event of any amendments to the content.

The manufacturer and agent decline all responsibilities in the event of damage caused by improper, incorrect or illogical use of the appliance.

Contact after sales service center when in doubt of the condition of the appliance.

For customer care / after sales service [Singapore], please contact

Casa (S) Pte Ltd
15, Kian Teck Crescent, Singapore 628884
Telephone: +65 6268 0077
Fax: +65 6898 0510
Email: service@casa.com.sg