

**BUILT-IN OVEN**

**Model:**

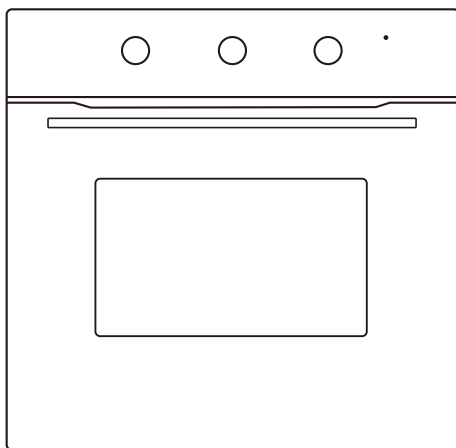
**BO GE 0670AF M**



**EMBRACING FINEST MOMENTS**



**USER MANUAL**





# CONTENTS

<b>IMPORTANT SAFETY INSTRUCTIONS</b>	IMPORTANT SAFETY INSTRUCTIONS	01-03
<b>PRODUCT INSTALLATION</b>	Cupboard Diagram (Standing Cupboard)	04
	Cupboard Diagram (Ground Cupboard)	05
	Installation Important Instructions	06
	Installation steps	07
<b>PRODUCT INTRODUCTION</b>	Oven	08
	Accessories	08
	Accessories use	09
	Control Panel	10
	Before using for the first time	11
	Regular operation	11
<b>CLEANING AND MAINTENANCE</b>	Cleaning	12
	Lamp Replacement	12
<b>TROUBLESHOOTING</b>	TROUBLESHOOTING	13
<b>SPECIFICATIONS</b>	SPECIFICATIONS	14
<b>PRODUCT RECYCLING</b>	PRODUCT RECYCLING	15

## IMPORTANT SAFETY INSTRUCTIONS

THESE WARNINGS ARE PROVIDED IN THE INTEREST OF SAFETY. PLEASE READ THEM CAREFULLY BEFORE INSTALLING OR USING THE APPLIANCE.

To maintain the EFFICIENCY and SAFETY of this appliance, we recommend:

- Call only the Service Centers authorized by store where you buy the cooker
- Always use original Spare Parts

1. When the oven is first switched on, it may give off an unpleasant smell. This is due to the bonding agent used for the insulating panels within the oven. Please run the new empty product with the conventional cooking function, 250°C, 90 minutes to clean oil impurities inside the cavity.
2. During the first use, it is completely normal that there will be slight smoke and door. If it does occur, you should wait for the smell to be cleared before putting food into the oven.
3. Please use the product under an open environment.
4. The appliance and its accessible parts become hot during use. Care should be taken to avoid touching heating elements. Children less than 8 years of age shall be kept away unless continuously supervised.
5. If the surface is cracked, switch off the appliance to avoid the possibility of electric shock.
6. This appliance can be used by children aged from 8 years and above and persons with reduced physical, sensory or mental capabilities or lack of experience and knowledge if they have been given supervision or instruction concerning use of the appliance in a safe way and understand the hazards involved. Children shall not play with the appliance. Cleaning and user maintenance shall not be made by children without supervision.

7. During use, the appliance becomes very hot. Care should be taken to avoid touching heating elements inside the oven.
8. Do not allow children to go near the oven when it is operating, especially when the grill is on.
9. Ensure that the appliance is switched off before replacing the oven lamp to avoid the possibility of electric shock.
10. The means for disconnection must be incorporated in the fixed wiring in accordance with the wiring specifications.
11. Children should be supervised to ensure that they do not play with the appliance.
12. This appliance is not intended for use by persons (including children) with reduced physical, sensory or mental capabilities, or lack of experience and knowledge, unless they have been given supervision or instruction concerning use of the appliance by person responsible for their safety.
13. Accessible parts may become hot during use. Young children should be kept away.
14. An all-pole disconnection means must be incorporated in the fixed wiring in accordance with the wiring rules.
15. If the supply cord is damaged, it must be replaced by the manufacturer, its service agent or similarly qualified persons in order to avoid a hazard.
16. Do not use harsh abrasive cleaners or sharp metal scrapers to clean the oven door glass since they can scratch the surface, which may result in shattering of the glass.
17. Only use the temperature probe recommended for this oven.
18. A steam cleaner is not to be used.
19. The appliance is not intended to be operated by means of an external timer or a separate remote control system.
20. The instructions for ovens that have shelves shall include details indicating the correct installations of the shelves.

21. Do not use the oven unless you are wearing something on your feet. Do not touch the oven with wet or damp hands or feet.
22. For oven: Oven door should not be opened often during the cooking period.
23. The appliance must be installed by an authorized technician and put into use. The producer is not responsible for any damage that might be caused by defective placement, and installation by unauthorized personnel.
24. When the door or drawer of oven is open do not leave anything on it, or you may unbalance your appliance or break the door.
25. Some parts of appliance may keep its heat for a long time; it is required to wait for it to cool down before touching onto the points that are exposed to the heat directly.
26. If you will not use the appliance for a long time, it is advised to plug it off.

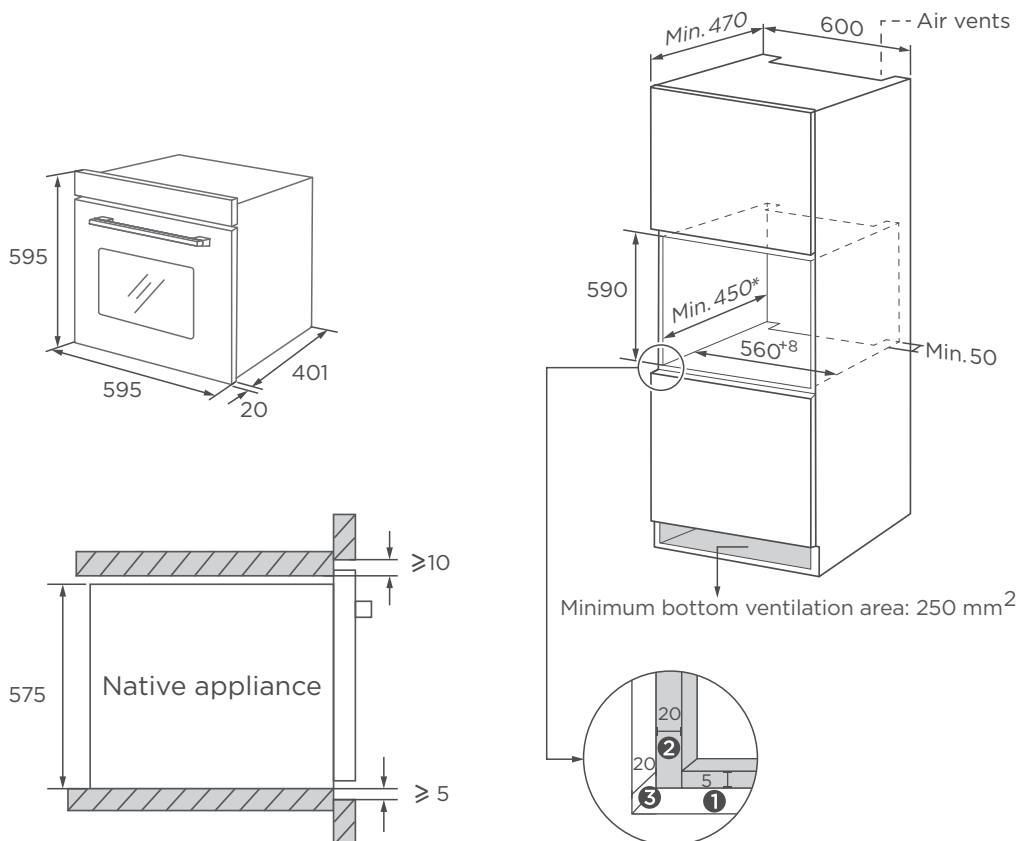
## **DECLARATION OF COMPLIANCE**

When you have unpacked the oven, make sure that it has not been damaged in any way. If you have any doubts at all, do not use it: contact a professionally qualified person. Keep packing materials such as plastic bags, polystyrene, or nails out of the reach of children because these are dangerous to children.

# PRODUCT INSTALLATION

If there is any discrepancy between the illustration and the actual product, please refer to the actual product.

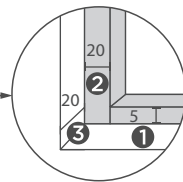
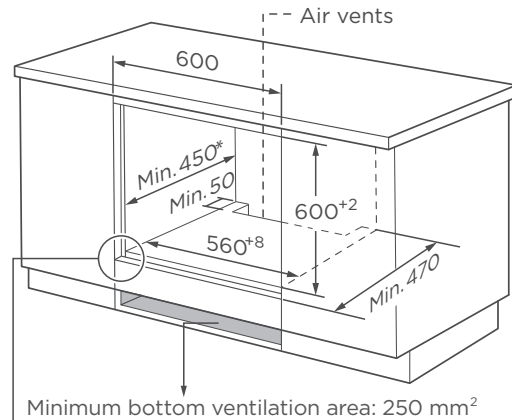
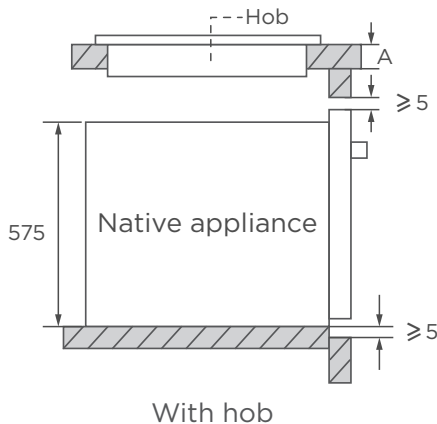
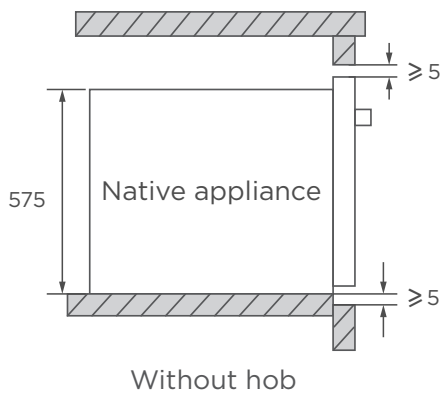
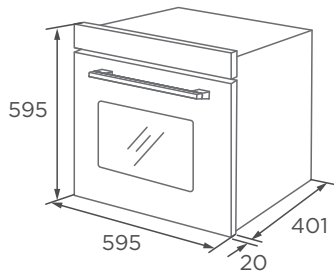
## Cupboard Diagram (Standing Cupboard)



- 1 Reserve 5 mm for the door panel at the top and bottom respectively.
- 2 Reserve 20 mm for the door panel on the left and right respectively.
- 3 Reserve 20 mm for the door panel in thickness.

1. The thickness of the cupboard board is 20 mm.
2. If the power socket is installed on the back of the appliance, the depth of the cupboard opening shall be increased from a minimum of 470 mm to 500 mm.
3. The dimensions in the figures are in mm.

## Cupboard Diagram (Ground Cupboard)



- ❶ Reserve 5 mm for the door panel at the top and bottom respectively.
- ❷ Reserve 20 mm for the door panel on the left and right respectively.
- ❸ Reserve 20 mm for the door panel in thickness.

If the appliance is installed under the hob, the minimum thickness of worktop A is shown below:

Hob type	worktop A
Induction hob	37 mm
Full-surface induction hob	47 mm
Gas hob	30 mm
Electric hob	27 mm

1. The thickness of the cupboard board is 20 mm.
2. If the power socket is installed on the back of the appliance, the depth of the cupboard opening shall be increased from a minimum of 470 mm to 500 mm.
3. The dimensions in the figures are in mm.

## Installation Important Instructions

### Content that means [mandatory]

1. The safe operation of this appliance can only be guaranteed if it has been installed to a professional standard in accordance with these installation instructions. The installer shall be liable for any damage resulting from incorrect installation.
2. The entire installation process requires two professional installers. Wear dry protective gloves during installation to avoid scratch or electric shock.
3. Fitted units must be heat-resistant up to 90°C, and adjacent unit fronts up to 70°C.
4. Please use a 16A socket.

### Content that means [prohibit ]

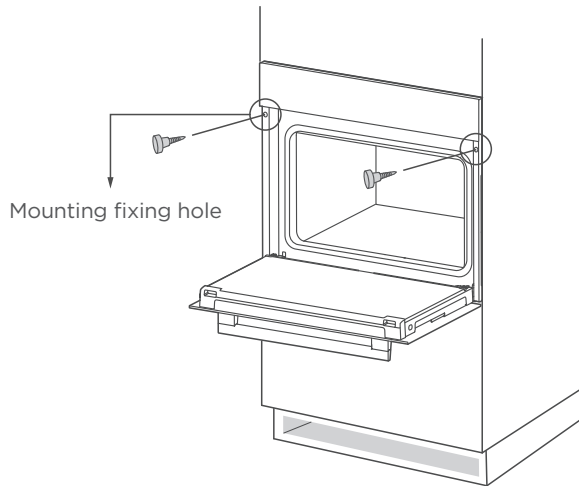
1. Do not install the appliance behind a decorative door or the door of a kitchen unit, as this may cause the appliance to overheat.
2. Check the appliance for damage after unpacking it. Do not connect the appliance if it has been damaged in transit.
3. Do not block the vent of the appliance and the gap between the cupboard and the appliance.
4. Use extreme caution when moving or installing the appliance. It is very heavy, do not lift the appliance by the door handle.
5. If the power cord or power plug is damaged, stop using the appliance immediately, to avoid fire, electric shock or other injuries.

### Content that means [note]

1. Be very careful when moving or installing the appliance to avoid damage to the appliance or damage to the cupboards.
2. Before starting up the appliance, remove all packaging materials and accessories from the cavity.
3. The power socket shall be accessible to users (such as next to the cupboard) for easy power-off.
4. After installation is complete, make sure that the power plug is firmly inserted into the socket.
5. Please refer to the "Cupboard Diagram" for the requirements of net depth of the cupboard. The clearance between the cupboard bottom board and the rear board (or wall) shall not be less than 50 mm.

## Installation steps

1. Please customize the cupboard according to the "Cupboard Diagram".
2. Before installation, please check for normal power sockets and appropriate grounding, and check whether the cupboard dimension meets the installation requirements.
3. Place the appliance in designated locations in the kitchen, install it in a vertical cupboard, and connect the power supply.
4. To locate the mounting fixing holes, open the appliance door and look at the side frame of the appliance (position shown above).
5. Fix the appliance on the Cupboard with two screws.

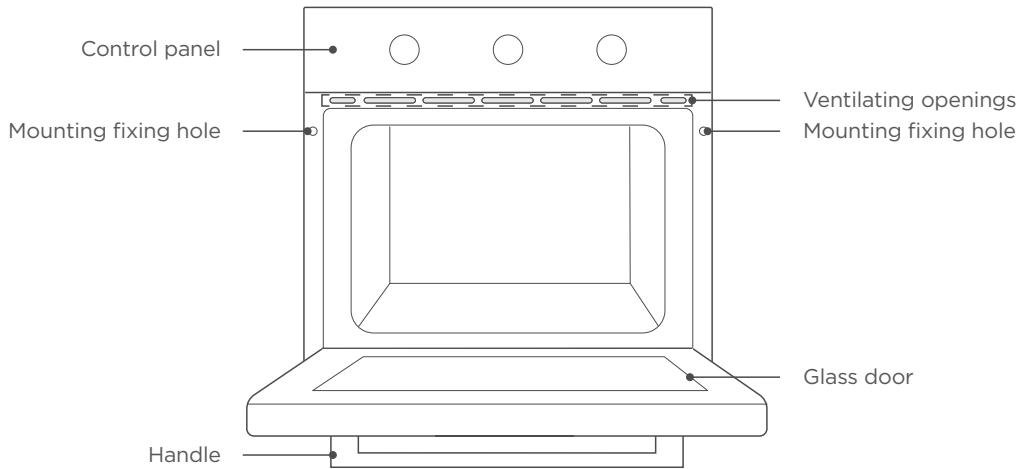


# PRODUCT INTRODUCTION

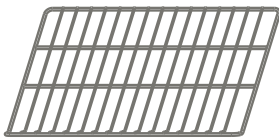
## Oven

When removing food, please wear heat insulating gloves to prevent burns!

At the moment of opening the door of the furnace, pay attention to the steam. Please open the door at a small Angle to avoid the steam on your face.

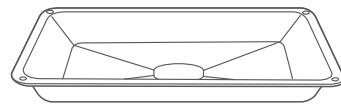


## Accessories



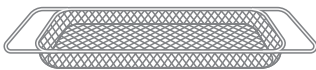
**Grill rack**

Grill food or place heat-resistant cooking containers



**Grill tray**

Cook large portions of food or catch food scraps

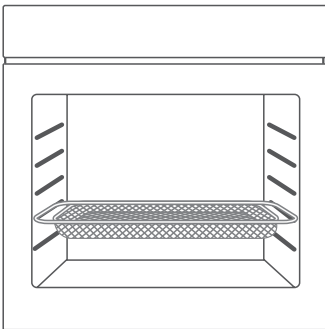
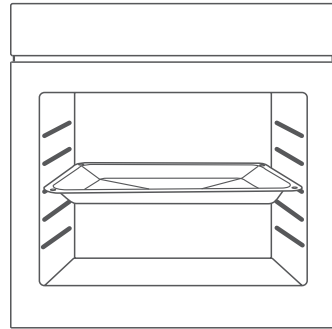
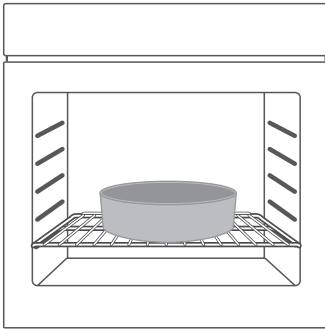
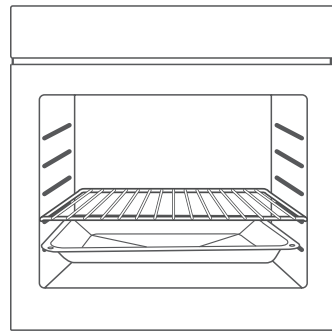
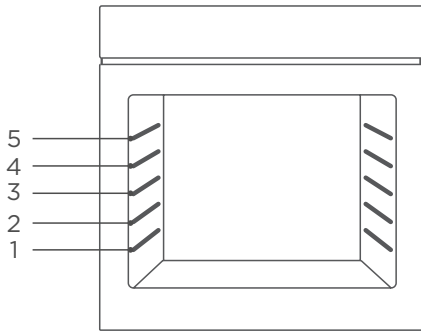


**Air fry basket**

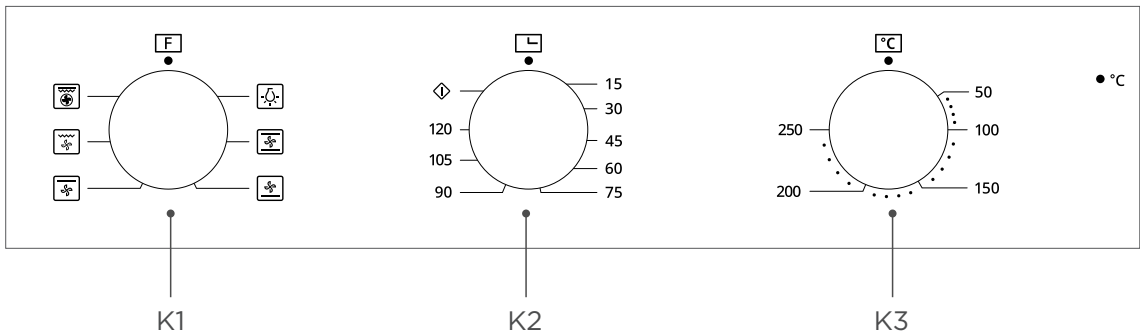
Air fry function specific

## Accessories use(Only for some models)

For the oven to work properly, the grill rack and Grill tray should only be placed between the first and fifth levels. When used together, place the Grill tray under the grill rack.









## Control Panel



Turn knob K1 to select the cooking function.


Turn knob K2 to adjust the time.

Turn knob K3 to adjust the temperature.

Function	Function introduction
 <b>Lamp</b>	Observe the cooking situation of food, and the fan is running at the same time, which can be used to thaw food.
 <b>Conventional+fan</b>	Fans and heating elements provide more uniform heat penetration and coloring. Suitable for baking all kinds of meat food.
 <b>Bottom heating+fan</b>	The heating tube at the bottom of the oven provides heat, and the fan makes the heat penetrate into the food more quickly. Mainly used for keeping warm and the coloring of the food.
 <b>Top heating+fan</b>	The heating tube at the top of the oven provides heat, and the fan makes the heat penetrate into the food more quickly. Mainly used for food coloring and small pieces of meat baking. It is advisable to position the thermostat knob at 200°C
 <b>Single grill+fan</b>	The radiant heating element works with the fan. Mainly used for baking a small amount of food. It is advisable to position the thermostat knob at 200°C
 <b>Air Fry</b>	The hot oil in the frying pan is replaced by air, which forms a rapid circulating heat flow in the closed cavity, which makes the food mature, and at the same time, the hot air also takes away the moisture on the surface of the food, so that the ingredients can achieve the effect of approximate frying. It is advisable to position the thermostat knob at 200°C

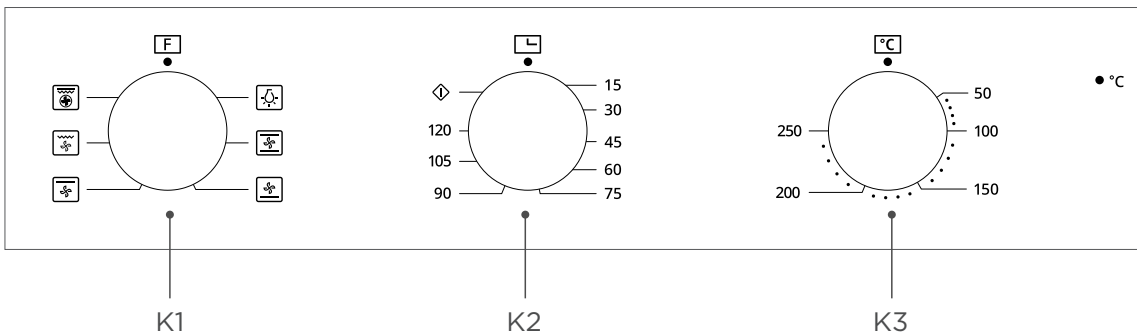
## Before using for the first time

1. The oven must not be operated until it has been correctly installed.
2. To avoid fire, remove all transport protection materials and ensure that the oven is free of residual packaging items and accessories (e.g. foam, cardboard, grill tray, grill rack, etc.).
3. Clean the oven cavity and accessories with soapy water and a soft cloth.
4. Open kitchen windows and cooker hoods to maintain high ventilation.
5. Do not let children or pets into the kitchen and close the doors of adjacent rooms.
6. After connecting the power, activate the oven mode, time, and temperature in the table below to remove odors in the cavity.
7. After the first use, please open the oven door at a small angle and wait for the cooling to complete.

Function	Temperature	Time
 Conventional+fan	250°C	0.5 Hour

## Regular operation

1. Turn knob K1 to select the cooking function.
2. Turn knob K2 to adjust the time.
3. Turn knob K3 to adjust the temperature.
4. When cooking is finished, turn all knobs to the "●" position.



## Note

1. After the countdown is over, the heating tube of the oven stops working, and the fan and the lamp keep working. After waiting for the oven to cool down, turn the knob "K1" to the "●" position, and the fan and the lamp will be turned off.
2. As a separate function, Oven light is used by consumers to actively choose to observe food or clean the cavity. After the user opens it, they need to actively close it before exiting and returning to standby mode.

# CLEANING AND MAINTENANCE

## Cleaning

Disconnect the power supply before cleaning and maintenance.  
In order to ensure the life of the oven, clean it in time after cooking.  
Cleaning steps are as follows:

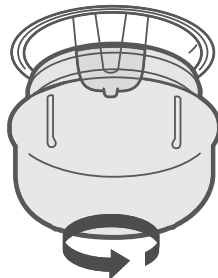
1. After cooking, wait for the oven to cool completely.
2. Remove oven accessories, rinse with warm water and dry.
3. Remove food residues and oil stains from the oven cavity.
4. Clean the oven surface with a soft cloth dampened with detergent and dry.

## Notes

1. Do not use sharp cleaning tools, hard brush and corrosive cleaning products, so as not to damage the oven and its accessories.
2. Do not use rough scrubbing agent or sharp metal spatula to clean the door glass.

## Lamp Replacement

1. Switch off and disconnect the power from the oven. Ensure that the internal parts are cool before touching internal parts.
2. Remove the lamp cover by turning it counter-clockwise (note, it may be stiff), replace the bulb with a new one of the same type.
3. Insert the new bulb, which should be resistant to 300°C. For replacement bulbs contact your local service centre.
4. If in any doubt, consult a qualified electrician for help.



## Warning

To avoid electric shocks-please ensure that the electricity supply to the appliance is switched off and the appliance is fully cold. before removing the lamp lens.

## TROUBLESHOOTING

If the problem cannot be solved or other problems occur, please contact the after-sales service.

Problem	Possible reason	Solution
Unable to start	• Power is not connected	• connect power supply
	• The main power switch is not turned on	• Turn on the power switch
	• Oven door not closed	• Close the oven door
lamp does not come on	• It's broken	• Contact after-sales service
Has a pungent odor or smoke	• first use	• No processing required
Food is not cooked	• Temperature is too low	• Use a higher temperature
	• Food portion is too large	• Cook food in smaller pieces or extend the cooking time.
Burnt or uneven food	• The temperature is set too high or the heating time is too long	• Adjust the cooking temperature or time
	• The food is too close to the heating tube	• Adjust the placement layers of accessories
The fan did not stop working after stopping the heating	• Fan delays blowing for heat dissipation	• No processing required

## SPECIFICATIONS

Model	BO GE 0670AF M
Number of cavities	1
Heat source	Electricity
Volume	60L
Type of oven	Built-in Oven
Product dimensions	595×421×595 mm
Power Supply	220-240V~ , 50Hz-60Hz
Electric Power	2.05kW

## PRODUCT RECYCLING

This symbol on the product or instruction manual indicates that your device should be disposed of separately from your household waste at the end of its useful life. There is a separate recycling system locally for recycling. For more information, please contact the local authority or retailer where you purchased the product.



When you have unpacked the oven, make sure that it has not been damaged in any way. If you have any doubts at all, do not use it: contact a professionally qualified person. Keep packing materials such as plastic bags, polystyrene, or nails out of the reach of children because these are dangerous to children.

# WARRANTY & SERVICE

- To activate your warranty, please register your appliance.
- Warranty registration can be done via our website or scan the QR code below.
- Warranty only covers appliance for domestic/household usage.

## Website

<https://shop.casa.sg/E-Warranty>

## QR Code

Scan the QR Code below. It will redirect straight to our "Warranty Registration" page.



*Casa (S) Pte Ltd. reserves the rights to the final interpretation of the content of this manual. Customer will not be notified in the event of any amendments to the content.*

*The manufacturer and agent decline all responsibilities in the event of damage caused by improper, incorrect or illogical use of the appliance.*

*Contact customer care center when in doubt of the condition of the appliance. Please get ready the model number of your appliance, date of purchase and the product issue when contacting customer care center.*

**For customer care / after sales service [Singapore], please contact**

**Casa (S) Pte Ltd**  
15, Kian Teck Crescent, Singapore 628884  
**Whatsapp:** +65 9747 8743  
**Fax:** +65 6898 0510  
**Email:** [service@casa.com.sg](mailto:service@casa.com.sg)

